

This user information presents a general review regarding the application of material handling equipment and does not substitute the existing operating instructions for specific industrial trucks and elevating platforms.

Transports with industrial trucks as well as lifting operations may be carried out by competent persons (trained in theory and practice) only.

When operated correctly, our Little Mule® products will offer the highest degree of safety, avoid damage to products and people and present a long life expectancy.

Modification of delivery condition

Design and construction of Little Mule® material handling products must not be altered by e.g. assembly of outside supplied components, bending, welding, grinding, cutting-off parts, adding boreholes, removal of safety devices or fitting of attachments.

Limitations of operation

Loading

The rated capacity (WLL) indicated on the product is the maximum load which must not be exceeded.

Transport of people

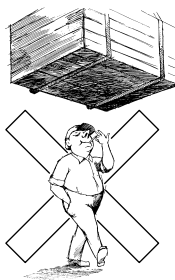
Transport of people with industrial trucks is generally forbidden!

Operation in danger zones

Lifting or transport of loads must be avoided while personnel are in the danger zone.

Do not allow people to stay on or below a raised load.

Do not place hands or feet under the raised fork frame or load on account of the imminent danger of crushing or shearing.



Inspection before starting work

- Prior to starting work, the unit must be inspected for obvious deficiencies and failures. Moreover, lowering, lifting, as well as transporting of the load should be checked. For this purpose the truck should be operated to lift, pull or push a load over a short distance and lower again.
- Furthermore check the function of the driving and parking brake as well as the key switch to protect against unauthorized use.
- Load carriage and forks must not show obvious defects (deflections, cracks or other wearing).
- Wheels and tires must not be defective.
- The hydraulic system must be in perfect order (lifting, lowering, density).
- The functional capability of the collision protective device should be checked.
- Battery charging status, fastening and cable connections of the battery as well as battery plug must be inspected for appropriate status as well as the battery cell lids (dry, clean).

For information on training please see pages 4-5!

Application advices

- Our materials handling equipment must be operated on in-plant areas only.
- Only use industrial trucks in perfect condition and with legible identity plate.
- Industrial trucks may only be operated by skilled people, who have been instructed (in theory and practice) by the responsible user.
- The travel speed must conform to local conditions.
- Industrial trucks must be operated on level ground without unevenness only.
- The operator must make sure that the load unit is in perfect condition and safely attached.
- Pallets may be transported individually only.
- Industrial trucks must not be used as car jacks.
- Industrial trucks must not be used in areas which are not illuminated sufficiently.
- Forks may not be used as levers.
- Loading of just one fork, e.g. for lifting of a machine, is strictly forbidden.
- Industrial trucks may not be operated in direct contact with foodstuffs.
- Never turn the hand lever 90° in order to stop the truck.
- The industrial truck must not be operated in explosive atmospheres (special versions on request).

Maintenance and repair

- To ensure safe operation, all materials handling equipment must be subjected to regular inspections according to the maintenance instructions provided by the manufacturer.
- Materials handling equipment, which is due for maintenance (normally at least once per year, unless adverse working conditions dictate shorter periods) or products with obvious defects may be returned to us for inspection and repair.
- Inspections and repairs must be performed by competent persons or specialist workshops that use original spare parts. Inspections and repairs have to be recorded consecutively.

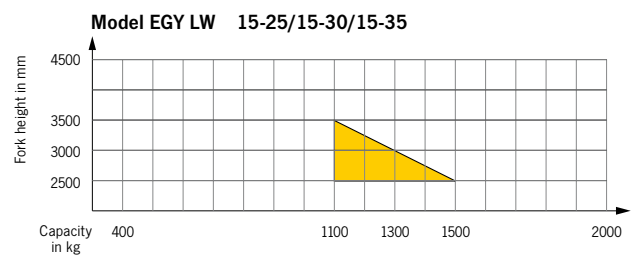
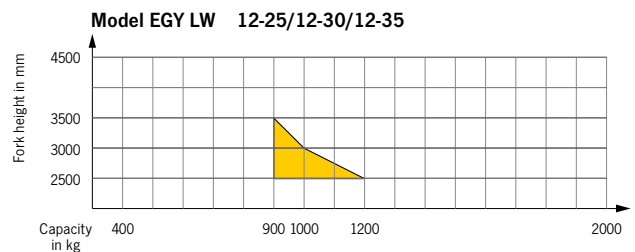
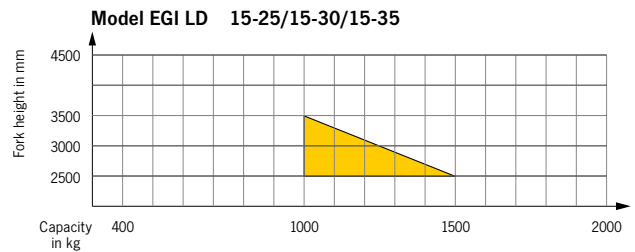
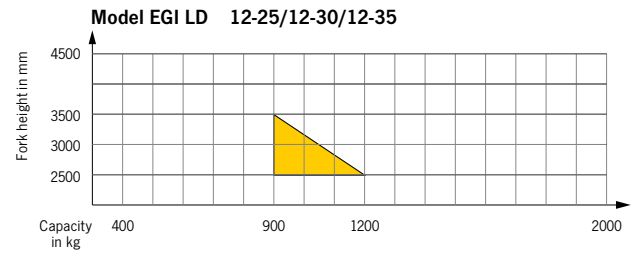
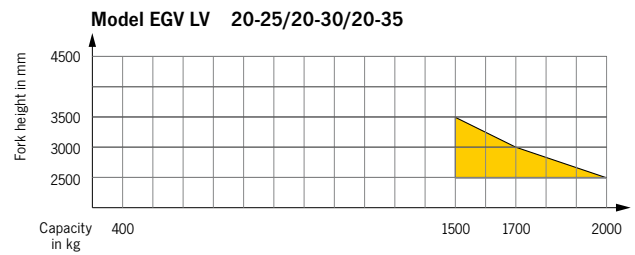
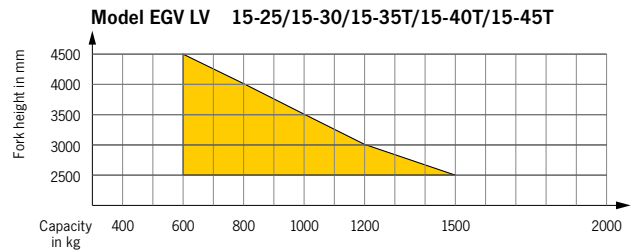
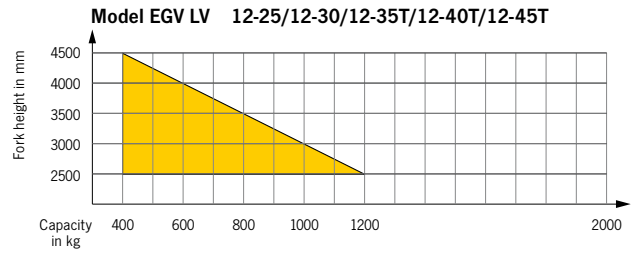
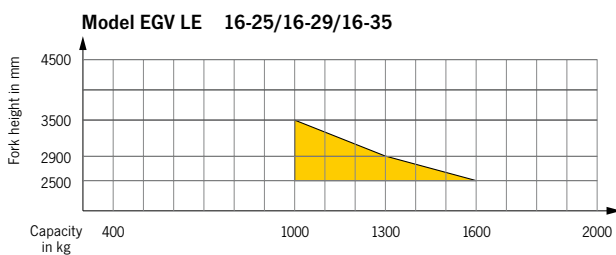
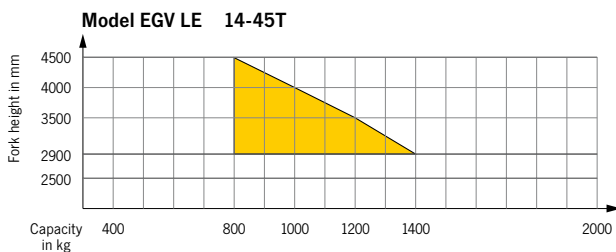
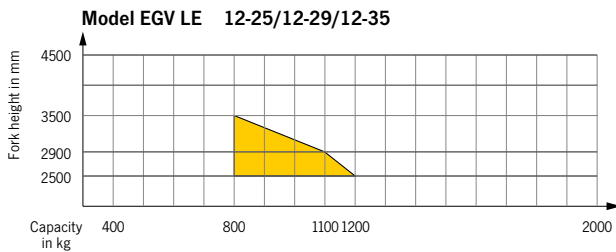
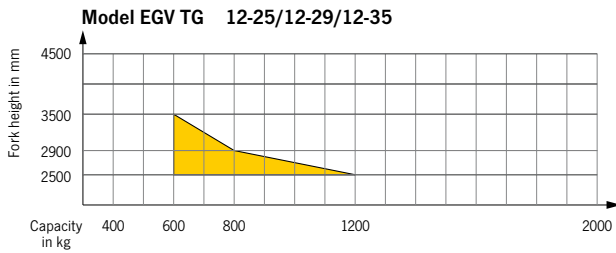
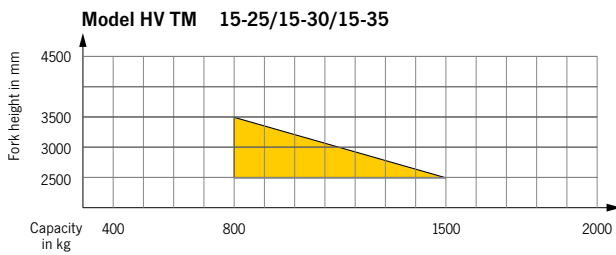
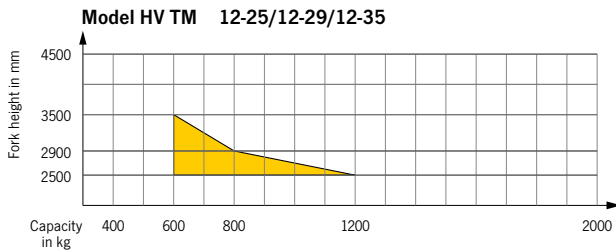
Inspections

- Inspections are visual and functional and shall establish that the product has not been damaged by incorrect transport or storage. In addition check for damage, wear, corrosion or other deficiencies as well as completeness and function safety devices. Inspections are instigated by the user.
- Materials handling products have to be cleaned prior to inspection. The cleaning procedure must not cause chemical damages (e.g. no acid – embrittlement) no incorrect temperature stress by e.g. flame cleaning or possible concealment of cracks due to excessive material abrasion (sand blasting). We shall be pleased to consult you in this respect. Please submit your materials handling product for inspection in preferably clean condition. This will reduce inspection costs considerably.
- **Inspection of fork frame**
The fork frame has to be checked regularly for obvious defects, deformations and cracks as well as wear and corrosion.
- **Inspection of control handle**
The control handle must be checked regularly for obvious defects, deformations, cracks. Moreover, check screws for fixed seat.
- **Inspection of oil level**
Check oil level every six months (Oil viscosity 30 Cst at 40°C). At ambient temperature around 0°C we recommend AVILUB RSL 22.
- **Inspection of lubrication and density**
Bolts, axles and push rods should be cleaned and lubricated depending on application with e.g. Shell FD or comparable grease.
- The hydraulic unit has to be checked regularly for density.



Load diagrams for residual carrying capacities

Capacity restrictions start at a fork height h_3 of 2500 mm (EGV LE 14-45T: 2900 mm).



Technical questionnaire Little Mule® Materials Handling

Company: _____

Date: _____

Contact: _____

e-Mail: _____

Phone: _____

Fax: _____

Pedestrian Stackers HV, EGV*, EGI*, EGY*

Pallet Lift Truck EGU* *acc. to VDI 2198

Capacity _____ kg

Fork height max. _____ mm

Free lift _____ mm

Required residual lifting capacity _____ kg

At fork height _____ mm

Headroom with mast retracted _____ mm

Lifting

manual-hydraulic

electric-hydraulic

Drive

manual

electric

Transport and stacking of:

Palletised goods

Long goods

Loading lorries

Special requests

Lengths of application per shift

up to 2 hours

up to 4 hours

up to 6 hours

up to 8 hours

Shifts per day

Driver's platform

yes

no



Hand pallet truck model HU Profi

Capacity 2500 - 3000 kg

For the professional transportation of palletised goods under demanding conditions.

Features

- Safety control handle with the functions: Lifting - driving - lowering.
- Lowering speed can be finely adjusted for sensitive lowering of the load.
- Low maintenance hydraulic with hard chromium plated piston and pressure relief valve.
- Enclosed hydraulic system with an integrated reservoir and lowering valve for finely adjusted speed when lowering.
- Frame and forks in torsion resistant, welded steel plate construction.
- Entry rollers facilitate entry into bottom boarded pallets.

Switch lever with finger formed grip, good ergonomic operation. Switch lever with three positions: Lifting - Driving - Lowering.

Strengthened control handle base prevents control handle fracture. Spring-loaded to automatically return to the upright position.

Encapsulated hydraulic system with integral tank. Piston with mechanical protection against damage. Pressure relief valve. Sensitive lowering valve for finely metered lowering speed.

Frame and forks in torsion resistant, welded steel plate construction.

Wear resistant, long life steering wheels and load rollers.

Technical data model HU Profi

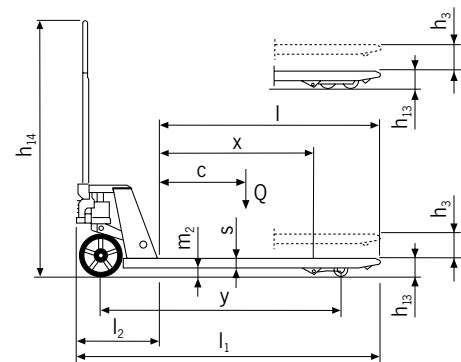
Model	HU Profi 25S	HU Profi 25S	HU Profi 25S	HU Profi 25T	HU Profi 25T	HU Profi 25T	HU Profi 25T	HU Profi 30T
EAN-No. 4025092*	*254274	*254281	*251877	*253727	*253802	*251723	*251747	*252188
Capacity Q, kg	2500	2500	2500	2500	2500	2500	2500	3000
Load center c, mm	600	600	600	600	600	600	600	600
Load distance x, mm	850	850	850	850	850	850	850	850
Wheelbase y, mm	1205	1205	1205	1205	1205	1205	1205	1205
Weight, kg	77	77	77	79	79	79	79	94
Tyre type front/rear**	VG/PA	VG/PUR	PUR/PUR	VG/PA	VG/PUR	PUR/PA	PUR/PUR	PUR/PA
Tyre size front, mm	194 x 50	194 x 50	194 x 50	194 x 50	194 x 50	194 x 50	194 x 50	194 x 50
Tyre size rear, mm	80 x 86	80 x 86	80 x 86	80 x 63	80 x 63	80 x 63	80 x 63	80 x 63
Number of wheels front/rear	2/2	2/2	2/2	2/4	2/4	2/4	2/4	2/4
Track width front, mm	135	135	135	135	135	135	135	135
Track width rear, mm	370	370	370	370	370	370	370	370
Stroke h3, mm	120	120	120	120	120	120	120	120
Height of control handle in operation max. h14, mm	1230	1230	1230	1230	1230	1230	1230	1230
Height lowered h13, mm	80	80	80	80	80	80	80	80
Overall length l1, mm	1525	1525	1525	1525	1525	1525	1525	1525
Length incl. apron l2, mm	375	375	375	375	375	375	375	375
Overall width b1/b2, mm	520	520	520	520	520	520	520	520
Fork dimensions s/e/l, mm	51 x 150 x 1150		51 x 150 x 1150		51 x 150 x 1150		51 x 150 x 1150	
Outside dimension of forks b5, mm	520	520	520	520	520	520	520	520
Ground clearance, wheelbase centre m2, mm	29	29	29	29	29	29	29	29
Aisle width pallet 800 x 1200, longitudinal Ast, mm	1832	1832	1832	1832	1832	1832	1832	1832
Turning circle radius Wa, mm	1367	1367	1367	1367	1367	1367	1367	1367
Lowering speed with/without load, m/s	metered	metered	metered	metered	metered	metered	metered	metered

**PA...Polyamide, PUR...Polyurethane, VG...Solid rubber, S...Steel S...Single, T...Tandem

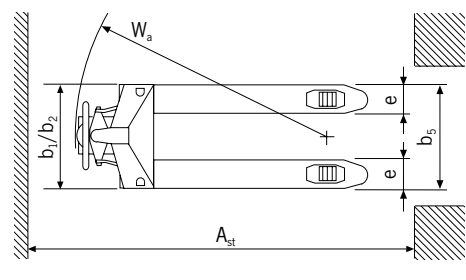
Rounded fork tips prevent damage to pallets.



Entry rollers facilitate entry into bottom boarded pallets.



Model HU Profi



Hand pallet truck model HU Special

Capacity 2000 - 2500 kg

For professional work on lorries or ramps and for the transport of long and bulky loads.

The forks for the models HU PS are available in lengths from 800 mm to 2000 mm and, depending on the fork length, with load capacities between 2000 kg and 2500 kg.

The model HU PN is suitable for the transport of particularly low pallets with flat forks, for 5 mm pallet entry height.

The model HU PB is used for the transport of small pallets. Outside fork distance 400 mm.

For the transport of brickyard pallets model HU TZ is suitable. Outside fork distance 850 mm.



Technical data model HU Special

Model	HU PS 800S	HU PS 800T	HU PS 950S	HU PS 950T	HU PS 1350T	HU PS 1500T
EAN-No. 4025092*	*252089	*252096	*252126	*252133	*252201	*252218
Capacity Q, kg	2500	2500	2500	2500	2500	2500
Load center c, mm	400	400	475	475	675	750
Load distance x, mm	500	500	650	650	1050	1200
Wheelbase y, mm	855	855	1005	1005	1405	1555
Weight, kg	67	69	71	73	99	106
Tyre type front/rear**	PUR/PA	PUR/PA	PUR/PA	PUR/PA	PUR/PA	PUR/PA
Tyre size front, mm	194 x 50	194 x 50	194 x 50	194 x 50	194 x 50	194 x 50
Tyre size rear, mm	80 x 86	80 x 63	80 x 86	80 x 63	80 x 63	80 x 63
Number of wheels front/rear	2/2	2/4	2/2	2/4	2/4	2/4
Track width front, mm	135	135	135	135	135	135
Track width rear, mm	370	370	370	370	370	370
Stroke h3, mm	120	120	120	120	120	120
Height of control handle in operation max. h14, mm	1230	1230	1230	1230	1230	1230
Height lowered h13, mm	80	80	80	80	80	80
Overall length l1, mm	1175	1175	1325	1325	1725	1875
Length incl. apron l2, mm	375	375	375	375	375	375
Overall width b1/b2, mm	520	520	520	520	520	520
Fork dimensions s/e/l, mm	51 x 150 x 800	51 x 150 x 800	51 x 150 x 950	51 x 150 x 950	51 x 150 x 1350	51 x 150 x 1500
Outside dimension of forks b5, mm	520	520	520	520	520	520
Ground clearance, wheelbase centre m2, mm	29	29	29	29	29	29
Aisle width*** Ast, mm	1484	1484	1633	1633	2031	2180
Turning circle radius Wa, mm	1019	1019	1168	1168	1566	1715
Lowering speed with/without load, m/s	metered	metered	metered	metered	metered	metered

**PA...Polyamide, PUR...Polyurethane, VG...Solid rubber, S...Steel S...Single, T...Tandem

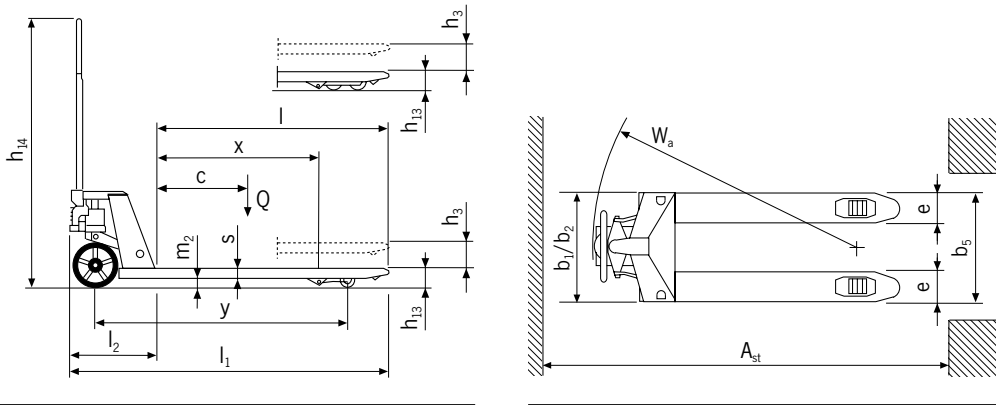
***Pallet 800 x 1200, longitudinal

Technical data model HU Special

Model	HU PS 1800T	HU PS 2000T	HU PN 20S	HU PB 20T	HU Profi 20 TZ
EAN-No. 4025092*	*252225	*252232	*254731	*250221	*253741
Capacity Q, kg	2000	2000	2000	2000	2000
Load center c, mm	900	1000	600	400	600
Load distance x, mm	1500	1700	850	450	850
Wheelbase y, mm	1855	2055	1205	707	1205
Weight, kg	157	170	78	54	92
Tyre type front/rear**	PUR/PA	PUR/PA	PUR/S	VG/PA	PUR/PUR
Tyre size front, mm	194 x 50	194 x 50	180 x 50	200 x 50	194 x 50
Tyre size rear, mm	80 x 63	80 x 63	51 x 86	80 x 63	80 x 63
Number of wheels front/rear	2/4	2/4	2/2	2/4	2/4
Track width front, mm	135	135	135	140	155
Track width rear, mm	370	370	370	250	700
Stroke h3, mm	120	120	115	115	120
Height of control handle in operation max. h14, mm	1230	1230	1230	1160	1230
Height lowered h13, mm	80	80	53	85	80
Overall length l1, mm	2175	2375	1525	1200	1525
Length incl. apron l2, mm	375	375	375	400	375
Overall width b1/b2, mm	520	520	520	400	850
Fork dimensions s/e/l, mm	51 x 150 x 1800	51 x 150 x 2000	37 x 150 x 1120	51 x 150 x 800	51 x 150 x 1150
Outside dimension of forks b5, mm	520	520	520	400	850
Ground clearance, wheelbase centre m2, mm	29	29	15	29	29
Aisle width*** Ast, mm	2480	2680	1832	1484	1832
Turning circle radius Wa, mm	2015	2215	1367	1019	1367
Lowering speed with/without load, m/s	metered	metered	metered	metered	metered

**PA...Polyamide, PUR...Polyurethane, VG...Solid rubber, S...Steel S...Single, T...Tandem

***Pallet 800 x 1200, longitudinal



Model HU Special

Hand pallet truck HU with weighing system model HU PW 20 T

Capacity 2000 kg

Fitted with four high quality load cells the hand pallet truck becomes a mobile weighing system.

The robust construction of the basic truck and high quality electronics make demanding applications possible.

Features

- The basic truck is the Little Mule® hand pallet truck HU Profi with a pallet entry height of only 85 mm.
- LED display (83plus)* has 6 characters; the characters are 20 mm in height.
- Weighing operations: Tare (gross/net), count, add, automatic return to zero.
- Accuracy is ± 0.1 % of the end value.
- The readings start at 1.0 kg.
- The battery capacity provides for around 28 operating hours.
- The weighing system is calibrated at the factory.

*Made by RHEWA



Option

- Stainless steel version
- Special calibration of the measured value (Multi-range scale).
- Measuring range up to 2500 kg.
- With printer
- Change setting of partition.

Scope of delivery

Battery and battery charger included.



LED display 83plus

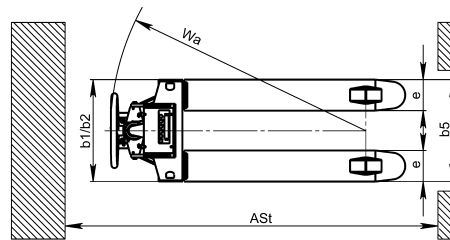
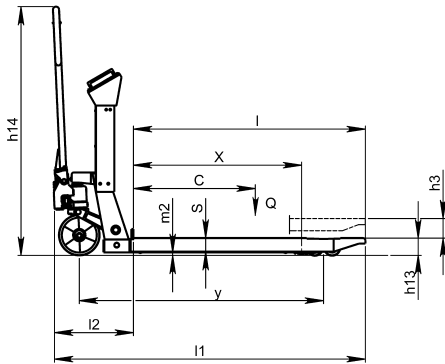


Option: printer

Technical data model HU PW 20T

Model	HU PW 20T	HU PW 20TR - 83plus with printer
EAN-No. 4025092*	*252683	*253130
Capacity Q, kg	2000	2000
Load center c, mm	600	600
Load distance x, mm	850	850
Wheelbase y, mm	1205	1205
Weight, kg	145	145
Axle loading with load front/rear, kg	409/1735	409/1735
Axle loading without load front/rear, kg	86/59	86/59
Tyre type front/rear**	PUR/PA	PUR/PA
Overall width b1/b2, mm	535	535
Outside dimension of forks b5, mm	535	535
Fork dimensions s/e/l, mm	60 x 165 x 1140	60 x 165 x 1140
Ground clearance, wheelbase centre m2, mm	20	20
Aisle width pallet 800 x 1200, longitudinal Ast, mm	1832	1832
Turning circle radius Wa, mm	1367	1367
Tyre size front, mm	194 x 50	194 x 50
Tyre size rear, mm	80 x 63	80 x 63
Number of wheels front/rear	2/4	2/4
Track width front, mm	135	135
Track width rear, mm	370	370
Stroke h3, mm	115	115
Height of control handle in operation max. h14, mm	1230	1230
Height lowered h13, mm	85	85
Overall length l1, mm	1525	1525
Length incl. apron l2, mm	375	375

**PA...Polyamide, PUR...Polyurethane, VG...Solid rubber, S...Steel S...Single, T...Tandem



Model HU PW 20T

Hand pallet truck HU with weighing system model HU PW 20 TA

Capacity 2000 kg

Robust design for simple weighing jobs.

Features

- The basic truck is the Little Mule® hand pallet truck HU Profi with a pallet entry height of only 85 mm.
- Measuring range from 0 up to 2000 kg in 1 kg steps.
- The illuminated LCD display has 6 characters; the characters are 30 mm in height.
- Weighing operations: Tare (gross/net), count, add, automatic return to zero.
- Accuracy is $\pm 0.1\%$ of the end value.
- The readings start at 1 kg.
- The battery capacity provides for around 25 operating hours.
- The weighing system is calibrated at the factory.
- The system is designed for simple weighing jobs, e.g. calculation of total weights.

Scope of delivery

Integrated battery and external battery charger.

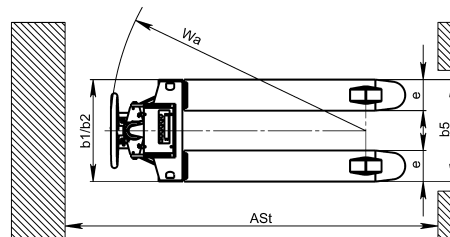
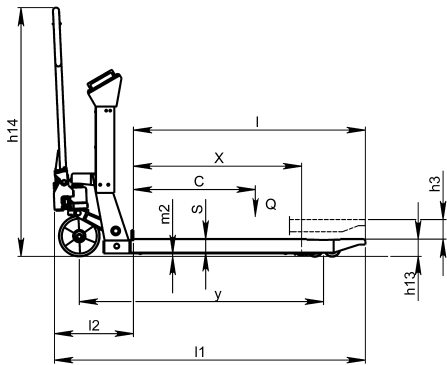


Easy to read, tiltable LCD display

Technical data model HU PW 20 TA

Model	HU PW 20 TA
EAN-No. 4025092*	*255288
Capacity Q, kg	2000
Load center c, mm	600
Load distance x, mm	850
Wheelbase y, mm	1205
Weight, kg	135
Axle loading with load front/rear, kg	404/1730
Axle loading without load front/rear, kg	81/54
Tyre type front/rear**	PUR/PA
Overall width b1/b2, mm	535
Outside dimension of forks b5, mm	535
Fork dimensions s/e/l, mm	60 x 165 x 1140
Ground clearance, wheelbase centre m2, mm	20
Aisle width pallet 800 x 1200, longitudinal Ast, mm	1832
Turning circle radius Wa, mm	1367
Tyre size front, mm	194 x 50
Tyre size rear, mm	80 x 63
Number of wheels front/rear	2/4
Track width front, mm	135
Track width rear, mm	370
Stroke h3, mm	115
Height of control handle in operation max. h14, mm	1230
Height lowered h13, mm	85
Overall length l1, mm	1525
Length incl. apron l2, mm	375

**PA...Polyamide, PUR...Polyurethane, VG...Solid rubber, S...Steel S...Single, T...Tandem



Model HU PW 20 TA



For applications in corrosive surroundings e.g., all sorts of salts, please contact us.

Stainless steel hand pallet truck model HU PE

Capacity 2000 kg

For the professional transportation of palletised goods in corrosive areas.

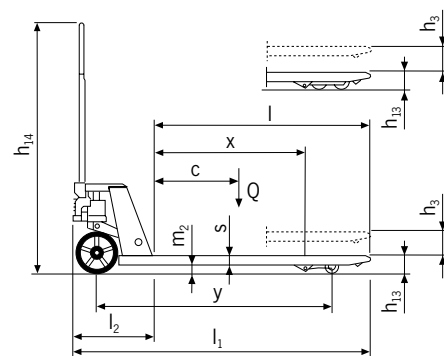
Features

- Safety operating lever with the functions: Lifting - driving - lowering.
- Lowering speed can be finely adjusted for sensitive lowering of the load.
- Low maintenance hydraulic unit with galvanized and blue chromated pump.
- Enclosed hydraulic system with an integrated reservoir and lowering valve for finely adjusted speed when lowering.
- Frame and forks of torsion resistant stainless steel construction.
- Entry rollers facilitate entry into bottom boarded pallets.
- Connecting rods and roller yokes from stainless steel.
- Maintenance free deep groove ball bearing (2 RS).
- Fork length 1150 mm.
- Polyurethane steering wheels and polyamide load rollers offer high chemical resistance.

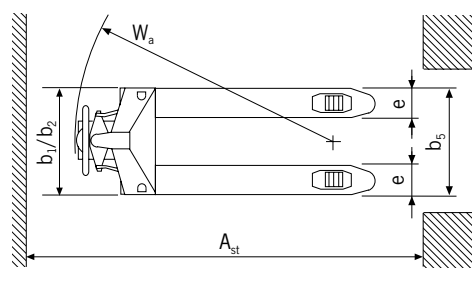
Technical data model HU PE

Model	HU PE 20T
EAN-No. 4025092*	*252966
Capacity Q, kg	2000
Load center c, mm	600
Load distance x, mm	850
Wheelbase y, mm	1205
Weight, kg	69
Tyre type front/rear**	PA/PA
Tyre size front, mm	194 x 50
Tyre size rear, mm	80 x 63
Number of wheels front/rear, mm	2/4
Track width front, mm	135
Track width rear, mm	370
Stroke h3, mm	120
Height of control handle in operation max. h14, mm	1230
Height lowered h13, mm	80
Overall length l1, mm	1525
Length incl. apron l2, mm	375
Overall width b1/b2, mm	520
Fork dimensions s/e/l, mm	51 x 150 x 1150
Outside dimension of forks b5, mm	520
Ground clearance, wheelbase centre m2, mm	29
Aisle width pallet 800 x 1200 longitudinal Ast, mm	1832
Turning circle radius Wa, mm	1367
Lowering speed with/without load, m/s	metered

**PA...Polyamide, PUR...Polyurethane, VG...Solid rubber, S...Steel S...Single, T...Tandem



Model HU PE



Container tilter model HU BN 10 M

Capacity 1000 kg

The container tilter: For the transportation, lifting and tilting of box pallets, bins or metal lattice boxes.

Features

- The forks can be tilted to a 90° angle for an ergonomic working position and easy access to the goods in the boxes.
- The operating hand lever can be turned and locked out of the working area to allow easy access to the goods.
- The unit is equipped with secure park brakes.
- Variable working heights between 750 and 950 mm. For maximum flexibility, the working height can also be adjusted while in the tilted position.
- For optimal positioning, the lifting and tilting operations are carried out independently to each other.



Technical data model HU BN

Model	HU BN 10 M
EAN-No. 4025092*	*254755
Actuation	manual
Operation	manual
Capacity, kg	1000
Load center c, mm	400
Load centre height, mm	200/420
Load distance x, mm	600
Wheelbase y, mm	1000
Weight, kg	178
Tyre type front/rear**	PUR/PUR
Tyre size front, mm	160 x 50
Tyre size rear, mm	70 x 100
Number of wheels front/rear	2/2
Track width front, mm	560
Track width rear, mm	425
Height, mast retracted h1, mm	690
Lift, mm	200
Working height, mm	750-950
Max. tilting angle, °	90
Height, mast extended h4, mm	890
Fork height max. h3+h13, mm	285
Height of control handle in operation min./max. h14, mm	690/1135
Height lowered h13, mm	85
Overall length l1, mm	1325
Length incl. apron l2, mm	400
Overall width b1/b2, mm	640
Fork dimensions s/e/l, mm	85 x 163 x 800
Fork carriage width, mm	560
Outside dimension of forks b5, mm	560
Ground clearance, wheelbase centre m2, mm	48
Aisle width pallet, mm	1520
Turning circle radius Wa, mm	1100
Lowering speed with/without load, m/s	metered

**PA...Polyamide, PUR...Polyurethane, VG...Solid rubber, S...Steel
S...Single, T...Tandem



Scissor pallet truck with manual-hydraulic lift model HU HS 10A

Capacity 1000 kg,
fork height max. 800 mm

A combination of hand pallet truck and elevating platform for the transport and raising of palletised loads to various departments.

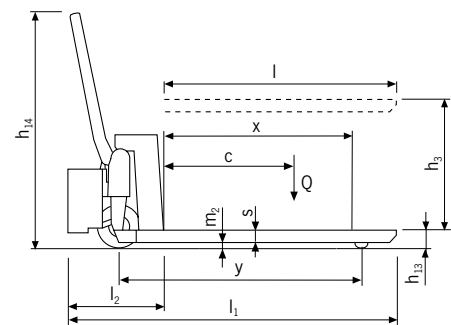
Features

- Safety control handle with the functions: Quick-lift - lifting - lowering.
- Lowering speed can be finely metered for sensitive lowering of the load.
- One-stage hydraulic.
- Quick-lift for loads up to 250 kg.
- Overload protection by pressure relief valve.
- Safety supports guarantee sure standing when the forks are raised.
- Low noise and smooth running with standard tyres: steer rollers and load rollers - polyurethane.
- Additional tilting protection for the load rollers.

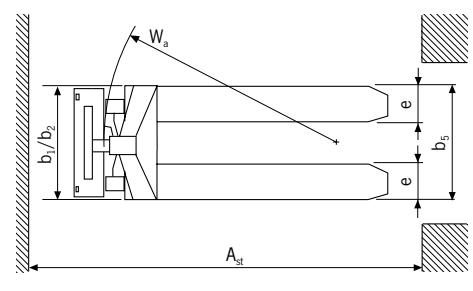
Technical data model HU HS 10A

Model	HU HS 10A
EAN-No. 4025092*	*254960
Capacity Q, kg	1000
Load center c, mm	600
Load distance x, mm	890
Wheelbase y, mm	1140
Weight, kg	152
Tyre type front/rear**	PUR/PUR
Tyre size front, mm	200 x 50
Tyre size rear, mm	78 x 60
Number of wheels front/rear	2/2
Track width front, mm	155
Track width rear, mm	440
Stroke h3, mm	715
Height of control handle in operation max. h14, mm	1235
Height lowered h13, mm	85
Overall length l1, mm	1650
Length incl. apron l2, mm	610
Overall width b1/b2, mm	540
Fork dimensions s/e/l, mm	50 x 160 x 1150
Outside dimension of forks b5, mm	540
Ground clearance, wheelbase centre m2, mm	35
Aisle width pallet 800 x 1200 longitudinal Ast, mm	1900
Turning circle radius Wa, mm	1440
Lowering speed with/without load, m/s	-

**PA...Polyamide, PUR...Polyurethane, VG...Solid rubber, S...Steel
S...Single, T...Tandem



Model HU HS 10A



Scissor pallet truck with electric-hydraulic lift model HU ES 10 A

Capacity 1000 kg,
fork height max. 800 mm

The model HU ES 10 A increases the usefulness of the HU HS 10 A by saving operating time for demanding applications with frequent lifting and lowering operations.

Features

- Ergonomic control button for the hydraulic unit fitted in the handle.
- In case of a battery failure the manual use of lifting and lowering is still guaranteed.
- Quick electric-hydraulic lifting of the load, pressure relief valve protects against overloading.
- Low noise and smooth running with standard tyres: steer rollers - solid rubber, load rollers - polyamide.
- Additional tilting protection for the load rollers.

Scope of delivery

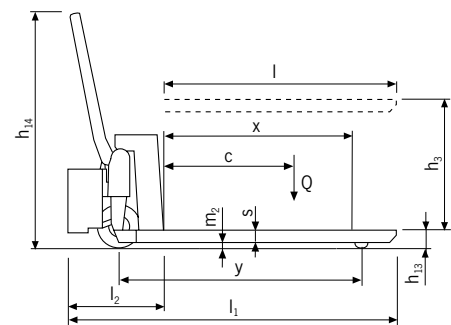
Battery and battery charger included.



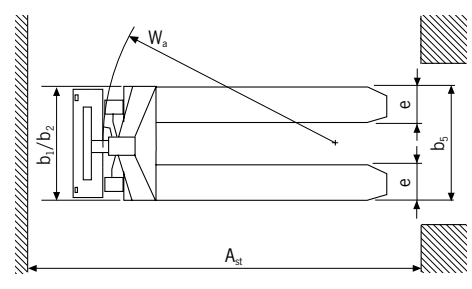
Technical data model HU ES 10 A

Model	HU ES 10 A
EAN-No. 4025092*	*255257
Capacity Q, kg	1000
Load center c, mm	600
Load distance x, mm	970
Wheelbase y, mm	1170
Weight, kg	145
Tyre type front/rear**	PUR/PUR
Tyre size front, mm	180 x 50
Tyre size rear, mm	75 x 50
Number of wheels front/rear	2/2
Track width front, mm	155
Track width rear, mm	440
Stroke h3, mm	715
Height of control handle in operation max. h14, mm	1230
Height lowered h13, mm	85
Overall length l1, mm	1740
Length incl. apron l2, mm	570
Overall width b1/b2, mm	540
Fork dimensions s/e/l, mm	50 x 160 x 1170
Outside dimension of forks b5, mm	540
Ground clearance, wheelbase centre m2, mm	35
Aisle width pallet 800 x 1200 longitudinal Ast, mm	1990
Turning circle radius Wa, mm	1450
Lowering speed with/without load, m/s	metered
Battery voltage, capacity K5, V/Ah	12/65
Battery charger, V/A	220/8

**PA...Polyamide, PUR...Polyurethane, VG...Solid rubber, S...Steel
S...Single, T...Tandem



Model HU ES 10 A



Electric pallet lift truck model EGU EL

Capacity 1400 kg

Ideal unit for working on ramps or taking along on a lorry.

Features

- Multifunctional control handle for easy handling.
The electric pallet lift truck will automatically be slowed down if the control handle is not longer in the users hand.
- Length incl. apron 435 mm.
- Reliable impulse control for stepless regulation of driving speed.
- Battery size depends on the type of application.

Scope of delivery

Battery and battery charger included.



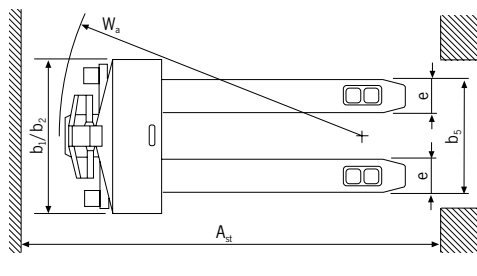
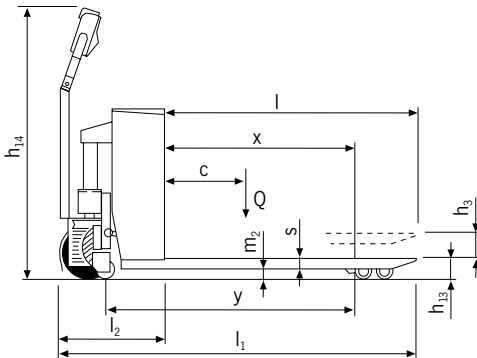
! Fork length 1000 mm and fork width 680 mm on request.

Technical data model EGU EL

Model	EGU EL 14-52/11	EGU EL 14-52/11	EGU EL 14-52/11	EGU EL 14-52/11
EAN-No. 4025092*	*254427	*254434	*254441	*254458
Actuation	electric	electric	electric	electric
Operation	pedestrian	pedestrian	pedestrian	pedestrian
Capacity Q, kg	1400	1400	1400	1400
Load center c, mm	600	600	600	600
Load distance x, mm	800	800	800	800
Wheelbase y, mm	1195	1195	1195	1195
Weight**, kg	203	203	250	250
Tyre type front/rear***	VG/PUR S	VG/PUR T	VG/PUR S	VG/PUR T
Tyre size front l x d, mm	250 x 76 + 100 x 40	250 x 76 + 100 x 40	250 x 76 + 100 x 40	250 x 76 + 100 x 40
Tyre size rear l x d, mm	82 x 80	82 x 60	82 x 80	82 x 60
Number of wheels front/rear	2 + 1x/2	2 + 1x/4	2 + 1x/2	2 + 1x/4
Track width front, mm	620	620	620	620
Track width rear, mm	390	390	390	390
Stroke h3, mm	115	115	115	115
Fork height max. h3+h13, mm	200	200	200	200
Height of control handle in operation max. h14, mm	1249	1249	1249	1249
Height lowered h13, mm	85	85	85	85
Overall length l1, mm	1585	1585	1585	1585
Length incl. apron l2, mm	435	435	435	435
Overall width b1/b2, mm	720	720	720	720
Fork dimensions s/e/l, mm	50 x 150 x 1150	50 x 150 x 1150	50 x 150 x 1150	50 x 150 x 1150
Outside dimension of forks b5, mm	525	525	525	525
Ground clearance, wheelbase centre m2, mm	15	15	15	15
Aisle width pallet 800x1200 longitudinal Ast, mm	1835	1835	1835	1835
Turning circle radius Wa, mm	1370	1370	1370	1370
Travel speed with/without load, km/h	4.5/4.7	4.5/4.7	4.5/4.7	4.5/4.7
Lifting speed with/without load, m/s	0.02/0.03	0.02/0.03	0.02/0.03	0.02/0.03
Lowering speed with/without load, m/s	0.04	0.04	0.04	0.04
Gradient with/without load, %	5/10	5/10	5/10	5/10
Service brake	electric	electric	electric	electric
Drive motor rating S2 60min, kW	0.7	0.7	0.7	0.7
Hoist motor rating, kW	0.4	0.4	0.4	0.4
Battery	starter	starter	traction	traction
Battery voltage, capacity K5, V/Ah	24/70	24/70	24/130	24/130
Battery weight, kg	36	36	82	82
Type of control	impulse	impulse	impulse	impulse

**Weight = Tare weight incl. battery

***PA...Polyamide, PUR...Polyurethane, VG...Solid rubber, S...Steel S...Single, T...Tandem



Model EGU EL

Electric pallet lift trucks model EGU ES

Capacity 1500 - 3000 kg

For high demands and quick turnaround in continuous applications, also suitable for loading/unloading lorries and ramp work.

Features

- Multifunctional control handle for easy handling. The electric pallet lift truck will automatically be slowed down if the control handle is not longer in the users hand.
- Spring-mounted central drive unit with robust 1.2 kW.
- Hoist motor performance 2.6 kW, pressure relief valve for safety.
- Reliable impulse control for stepless regulation of driving speed.
- Battery size depends on the type of application.

Option

- Drivers platform
- Zinc-plated version
- Fork lengths from 800 - 2400 mm.
- Spring-mounted central drive unit with robust 1.7 kW motor.



! Battery and battery charger are to be ordered separately.

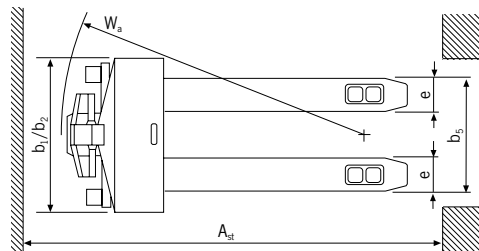
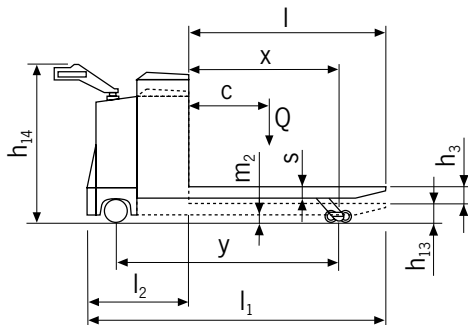
Technical data model EGU ES

Model	EGU ES 15	EGU ES 20	EGU ES 25	EGU ES 30
EAN-No. 4025092*	*253932	*251679	*253734	*251907
Actuation	electric	electric	electric	electric
Operation	pedestrian	pedestrian	pedestrian	pedestrian
Capacity Q, kg	1500	2000	2500	3000
Load center c, mm	600	600	600	600
Load distance x, mm	800	800	800	800
Wheelbase y, mm	1335	1335	1335	1335
Weight**, kg	441	441	453	458
Tyre type front/rear***	VG/PUR	VG/PUR	VG/PUR	VG/PUR
Tyre size front l x d, mm	250 x 76 + 100 x 40	250 x 76 + 100 x 40	240 x 101 + 100 x 40	240 x 101 + 100 x 40
Tyre size rear l x d, mm	80 x 70	80 x 70	80 x 70	80 x 70
Number of wheels front/rear	2+1x/4	2+1x/4	2+1x/4	2+1x/4
Track width front, mm	480	480	480	480
Track width rear, mm	370	370	370	370
Stroke h3, mm	115	115	115	115
Fork height max. h3+h13, mm	200	200	200	200
Height of control handle in operation max. h14, mm	1030	1030	1030	1030
Height lowered h13, mm	85	85	85	85
Overall length l1, mm	1705	1705	1705	1705
Length incl. apron l2, mm	555	555	555	555
Overall width b1/b2, mm	750	750	750	750
Fork dimensions s/e/l, mm	50 x 170 x 1150	50 x 170 x 1150	50 x 170 x 1150	50 x 170 x 1150
Outside dimension of forks b5, mm	540	540	540	540
Ground clearance, wheelbase centre m2, mm	35	35	35	35
Aisle width pallet 800x1200 longitudinal Ast, mm	1800	1800	1800	1800
Turning circle radius Wa, mm	1550	1550	1550	1550
Travel speed with/without load, km/h	4.2/5.3	4.2/5.3	4.2/5.3	4.2/5.3
Lifting speed with/without load, m/s	0.03/0.026	0.03/0.026	0.03/0.026	0.03/0.026
Lowering speed with/without load, m/s	0.03/0.04	0.03/0.04	0.03/0.04	0.03/0.04
Gradient with/without load, %	5/10	5/10	5/10	5/10
Service brake	electric	electric	electric	electric
Drive motor rating S2 60 min, kW	1.3	1.3	1.3	1.7
Hoist motor rating, kW	2.2	2.2	2.2	2.2
Battery****	PzS	PzS	PzS	PzS
Battery voltage, capacity K5, V/Ah	24/110-184	24/110-184	24/110-184	24/110-184
Battery weight, kg	120-180	120-180	120-180	120-180
Type of control	impulse	impulse	impulse	impulse

**Weight = Tare weight incl. battery

***PA...Polyamide, PUR...Polyurethane, VG...Solid rubber, S...Steel S...Single, T...Tandem

****Starter...starter battery, PzS...traction battery



Model EGU ES

Manual drive stackers with manual-hydraulic lift model HV TH

Capacity 1000 kg,
max. overall fork 1600 mm

Ideal for the occasional, internal application of
stacking and transporting of palletised goods.

Features

- Ergonomically designed handle incorporating Lift - neutral - lower functions.
- Lowering speed can be finely metered for sensitive lowering of the load.
- Powerful hydraulic pump and cylinder, providing a quick-lift feature, protected via a pressure relief valve.
- Welded mast construction made from precision profiles.
- Adjustment of the unit through a locking device.
- Max. overall fork height 900 mm and 1600 mm.
- Robust chassis each having two steering wheels and two load rollers; retention by parking device.

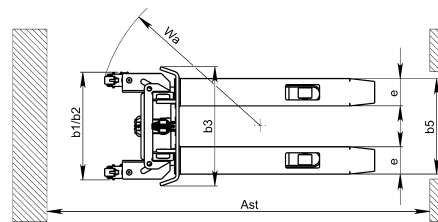
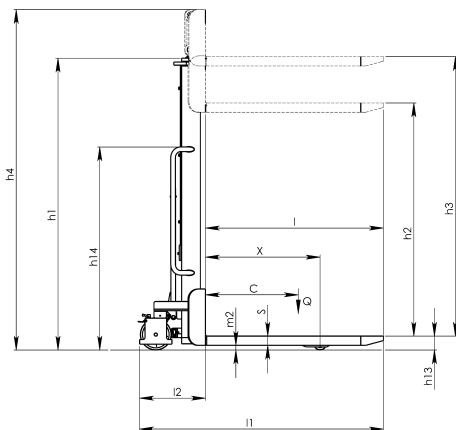


Technical data model HV TH

Model	HV TH 10-09	HV TH 10-16
EAN-No. 4025092*	*255202	*255196
Actuation	manual	manual
Operation	manual	manual
Capacity, kg	1000	1000
Load centre c, mm	600	600
Load distance x, mm	775	775
Wheelbase y, mm	1190	1190
Weight, kg	168	190
Tyre type front/rear**	PUR/PA	PUR/PA
Tyre size front, mm	150 x 40	150 x 40
Tyre size rear, mm	75 x 78 x 20	75 x 78 x 20
Number of wheels front/rear	2/2	2/2
Track width front, mm	600	600
Track width rear, mm	390	390
Height, mast retracted h1, mm	1390	1980
Free lift h2, mm	850	1445
Lift, mm	850	1445
Height, mast extended h4, mm	1390	1980
Fork height max. h3 + h13, mm	940	1535
Height of control handle in operation min./max. h14, mm	70/1270	70/1270
Height lowered h13, mm	90	90
Overall length l1, mm	1645	1645
Length incl. apron l2, mm	495	495
Overall width b1/b2, mm	750	750
Fork dimensions s/e/l, mm	50 x 160 x 1150	50 x 160 x 1150
Fork carriage width, mm	540	540
Outside dimension of forks b5, mm	540	540
Ground clearance under mast with load m1, mm	40	40
Ground clearance, wheelbase centre m2, mm	40	40
Aisle width pallet 800 x 1200, longitudinal Ast, mm	1990	1990
Turning circle radius Wa, mm	1205	1205
Number of lifting strokes up to max. stroke with/without load,	44/17	74/28
Lowering speed with/without load, m/s	metered	metered
Service brake	mechanical	mechanical
Type of control	manual	manual

**PA...Polyamide, PUR...Polyurethane, VG...Solid rubber, S...Steel

S...Single, T...Tandem



Model HV TH

Manual drive stackers with electric-hydraulic lift model HV TM

Capacity 1000 - 1500 kg,
fork height max. 3500 mm

Suitable for occasional to medium applications of
stacking and transporting palletised loads, also in
confined areas.

Features

- Easy to operate via tie-rod guides to both steer wheels.
- Compact electric-hydraulic lifting device and over-load protection.
- Finely metered lowering of load through pressure relief valve and adjustable lowering valve.
- Mast welded from precision profiles, fork carriage with maintenance free guide rollers.
- Robust frame with two load and two steer rollers, retention is by parking device.

Scope of delivery

Battery and battery charger included.



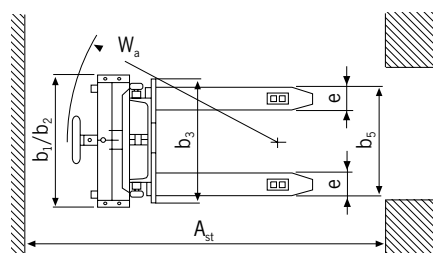
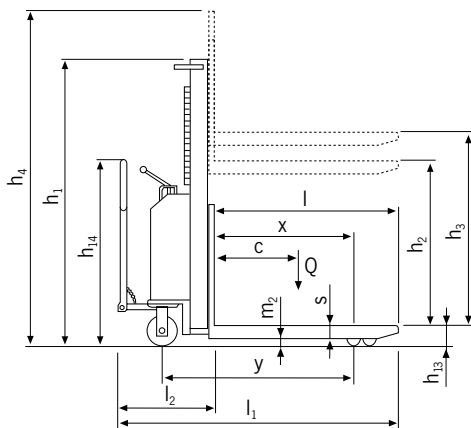
Technical data model HV TM

Model	HV TM 10-09	HV TM 10-16	HV TM 10-20	HV TM 12-16
EAN-No. 4025092*	*250610	*250627	*250634	*252041
Actuation	manual	manual	manual	manual
Operation	manual	manual	manual	manual
Capacity, kg	1000	1000	1000	1200
Load centre c, mm	600	600	600	600
Load distance x, mm	630	630	630	770
Wheelbase y, mm	965	965	965	1160
Weight**, kg	290	305	315	320
Tyre type front/rear***	VG/PA	VG/PA	VG/PA	VG/PUR
Tyre size front, mm	200 x 50	200 x 50	200 x 50	200 x 50
Tyre size rear, mm	82 x 70	82 x 70	82 x 70	80 x 70
Number of wheels front/rear	2/2	2/2	2/2	2/2
Track width front, mm	620	620	620	645
Track width rear, mm	410	410	410	370
Height, mast retracted h1, mm	1300	1970	2370	1990
Free lift h2, mm	810	1510	1910	1450
Lift, mm	810	1510	1910	1510
Height, mast extended h4, mm	1300	1970	2370	2120
Fork height max. h3+h13, mm	900	1600	2000	1600
Height of control handle in operation min./max. h14, mm	1081	1081	1081	580/1120
Height lowered h13, mm	90	90	90	90
Overall length l1, mm	1750	1750	1750	1775
Length incl. apron l2, mm	600	600	600	620
Overall width b1/b2, mm	750	750	750	755
Fork dimensions s/e/l, mm	70 x 150 x 1150	70 x 150 x 1150	70 x 150 x 1150	70 x 150 x 1150
Fork carriage width, mm	650	650	650	760
Outside dimension of forks b5, mm	560	560	560	530
Ground clearance under mast with load m1, mm	40	40	40	35
Ground clearance, wheelbase centre m2, mm	40	40	40	35
Aisle width pallet, mm	2210	2210	2210	1700
Turning circle radius Wa, mm	1440	1440	1440	1340
Lifting speed with/without load, m/min	0.09/0.12	0.09/0.12	0.09/0.12	0.1/0.16
Lowering speed with/without load, m/s	0.4/0.1	0.4/0.1	0.4/0.1	0.12/0.12
Service brake	mechanical	mechanical	mechanical	mechanical
Hoist motor rating, kW	1.6	1.6	1.6	1.6
Battery****	starter	starter	starter	starter
Battery weight, kg	18	18	18	33
Type of control	manual	manual	manual	manual
Battery charger, V/A	12/15	12/15	12/15	12/15
Battery voltage, capacity K5, V/Ah	12/70	12/70	12/70	12/100

**Weight = Tare weight incl. battery

***PA...Polyamide, PUR...Polyurethane, VG...Solid rubber, S...Steel S...Single, T...Tandem

****Starter...starter battery, PzS...traction battery



Model HV TM

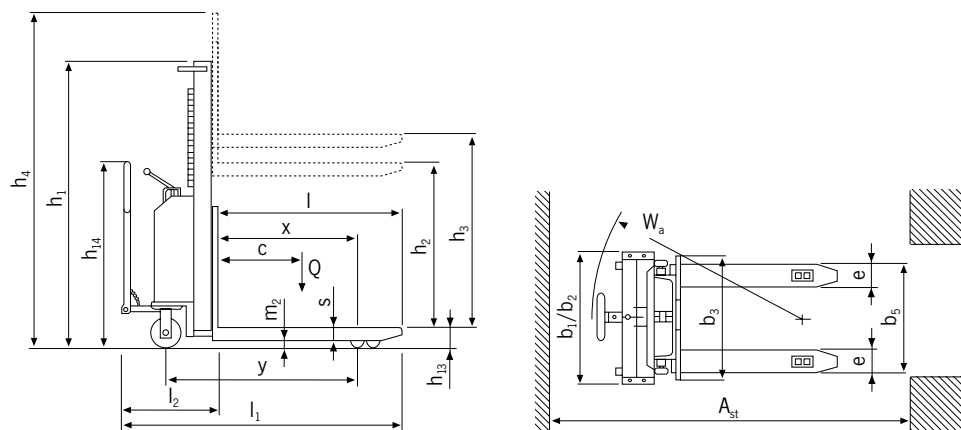
Technical data model HV TM

Model	HV TM 12-25	HV TM 12-29	HV TM 12-35	HV TM 15-16
EAN-No. 4025092*	*252423	*252980	*253000	*252034
Actuation	manual	manual	manual	manual
Operation	manual	manual	manual	manual
Capacity, kg	1200	1200	1200	1500
Load centre c, mm	600	600	600	600
Load distance x, mm	785	785	785	770
Wheelbase y, mm	1120	1155	1130	1180
Weight**, kg	424	440	485	432
Tyre type front/rear***	PUR/PA	PUR/PA	PUR/PA	VG/PUR
Tyre size front, mm	200 x 50	200 x 50	200 x 50	200 x 50
Tyre size rear, mm	82 x 70	82 x 70	82 x 70	80 x 70
Number of wheels front/rear	2/2	2/2	2/2	2/2
Track width front, mm	720	720	720	645
Track width rear, mm	410	410	410	370
Height, mast retracted h1, mm	1780	1980	2250	1990
Free lift h2, mm	-	-	80	1450
Lift, mm	2410	2810	3410	1510
Height, mast extended h4, mm	2990	3410	3900	2120
Fork height max. h3+h13, mm	2500	2900	500	1600
Height of control handle in operation min./max. h14, mm	1081	1081	1081	580/1120
Height lowered h13, mm	90	90	90	90
Overall length l1, mm	1850	1850	1850	1795
Length incl. apron l2, mm	700	700	700	640
Overall width b1/b2, mm	850	850	850	755
Fork dimensions s/e/l, mm	70 x 150 x 1150	70 x 150 x 1150	70 x 150 x 1150	65 x 160 x 1150
Fork carriage width, mm	650	650	650	760
Outside dimension of forks b5, mm	560	560	560	530
Ground clearance under mast with load m1, mm	40	40	40	35
Ground clearance, wheelbase centre m2, mm	40	40	40	35
Aisle width pallet, mm	2375	2375	2375	1700
Turning circle radius Wa, mm	1760	1760	1760	1360
Lifting speed with/without load, m/min	0.07/0.1	0.07/0.1	0.07/0.1	0.08/0.11
Lowering speed with/without load, m/s	0.4/0.1	0.4/0.1	0.1/0.1	0.16/0.09
Service brake	mechanical	mechanical	mechanical	mechanical
Hoist motor rating, kW	2.2	2.2	2.2	1.6
Battery****	starter	starter	starter	starter
Battery weight, kg	36	36	36	42
Type of control	manual	manual	manual	manual
Battery charger, V/A	24/13	24/13	24/13	12/15
Battery voltage, capacity K5, V/Ah	2 x 12/70	2 x 12/70	2 x 12/70	12/155

**Weight = Tare weight incl. battery

***PA...Polyamide, PUR...Polyurethane, VG...Solid rubber, S...Steel S...Single, T...Tandem

****Starter...starter battery, PzS...traction battery



Model HV TM

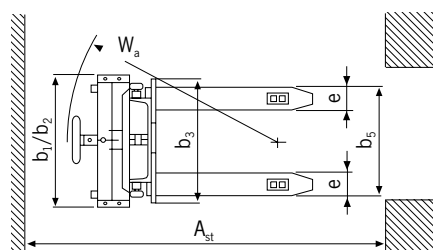
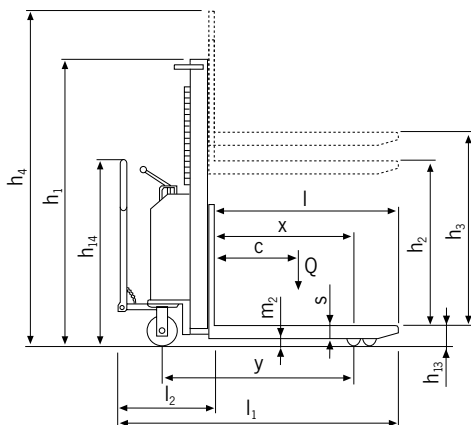
Technical data model HV TM

Model	HV TM 15-25	HV TM 15-30	HV TM 15-35
EAN-No. 4025092*	*252645	*252171	*252249
Actuation	manual	manual	manual
Operation	manual	manual	manual
Capacity, kg	1500	1500	1500
Load centre c, mm	600	600	600
Load distance x, mm	740	740	740
Wheelbase y, mm	1180	1180	1180
Weight**, kg	500	526	556
Tyre type front/rear**	VG/PUR	VG/PUR	VG/PUR
Tyre size front, mm	200 x 50	200 x 50	200 x 50
Tyre size rear, mm	80 x 70	80 x 70	80 x 70
Number of wheels front/rear	2/2	2/2	2/2
Track width front, mm	645	645	875
Track width rear, mm	370	370	370
Height, mast retracted h1, mm	1740	1990	2250
Free lift h2, mm	200	200	-
Lift, mm	2410	2910	3410
Height, mast extended h4, mm	3020	3520	4020
Fork height max. h3+h13, mm	2500	3000	3500
Height of control handle in operation min./max. h14, mm	580/1120	580/1120	580/1120
Height lowered h13, mm	90	90	90
Overall length l1, mm	1830	1830	1830
Length incl. apron l2, mm	680	680	680
Overall width b1/b2, mm	755	755	1000
Fork dimensions s/e/l, mm	65 x 160 x 1150	65 x 160 x 1150	65 x 160 x 1150
Fork carriage width, mm	760	760	760
Outside dimension of forks b5, mm	530	530	530
Ground clearance under mast with load m1, mm	35	35	35
Ground clearance, wheelbase centre m2, mm	35	35	35
Aisle width pallet, mm	1700	1700	1700
Turning circle radius Wa, mm	1360	1360	1360
Lifting speed with/without load, m/min	0.08/0.11	0.08/0.11	0.08/0.11
Lowering speed with/without load, m/s	0.16/0.09	0.16/0.09	0.16/0.09
Service brake	mechanical	mechanical	mechanical
Hoist motor rating, kW	1.6	1.6	1.6
Battery****	starter	starter	starter
Battery weight, kg	42	42	42
Type of control	manual	manual	manual
Battery charger, V/A	12/25	12/15	12/15
Battery voltage, capacity K5, V/Ah	12/155	12/155	12/155

**Weight = Tare weight incl. battery

***PA...Polyamide, PUR...Polyurethane, VG...Solid rubber, S...Steel S...Single, T...Tandem

****Starter...starter battery, PzS...traction battery



Model HV TM

Electric pedestrian stackers model EGV TG

Capacity 1000 - 1200 kg,
fork height max. 3500 mm

Ideal for stacking and transportation of palletised goods within a warehouse environment for short haul and medium work load applications.

Features

- Multifunctional control handle for easy handling. The electric pallet lift truck will automatically be slowed down if the control handle is not longer in the users hand.
- Reliable impulse control for stepless regulation of drive speed.
- Compact electric-hydraulic lifting device and over-load protection.
- Finely metered lowering of load through pressure relief valve and adjustable lowering valve.
- Mast welded from precision profiles, fork carriage with maintenance free guide rollers.
- Solid frame with one drive wheel and two load and two guide rollers.
- Battery size depends on the type of application.

Scope of delivery

Battery and battery charger included.

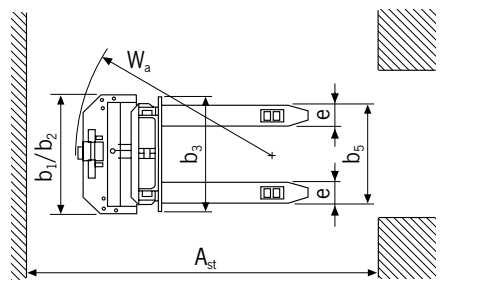
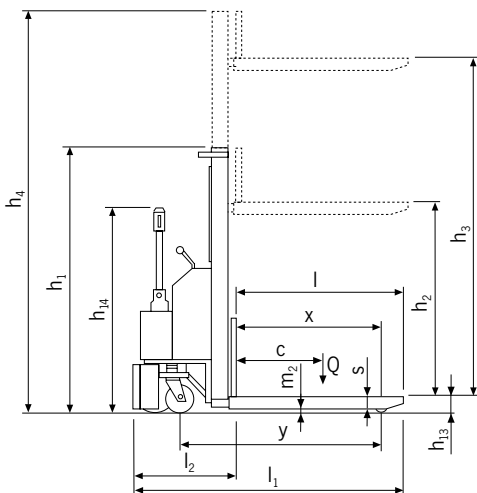


Technical data model EGV TG

Model	EGV TG 10-16	EGV TG 10-20	EGV TG 12-25	EGV TG 12-29	EGV TG 12-35
EAN-No. 4025092*	*250672	*250689	*252584	*250719	*252522
Actuation	electric	electric	electric	electric	electric
Operation	pedestrian	pedestrian	pedestrian	pedestrian	pedestrian
Capacity, kg	1000	1000	1200	1200	1200
Load centre c, mm	600	600	600	600	600
Load distance x, mm	785	785	785	785	785
Wheelbase y, mm	1190	1190	1190	1190	1190
Weight (Tare weight incl. battery), kg	354	374	446	461	496
Tyre type front/rear**	VG/PUR	VG/PUR	VG/PUR	VG/PUR	VG/PUR
Tyre size front, mm	240 x 60+150 x 40	240 x 60+150 x 40	250 x 76+150 x 40	250 x 76+150 x 40	250 x 76+150 x 40
Tyre size rear, mm	82 x 70	82 x 70	82 x 70	82 x 70	82 x 70
Number of wheels front/rear	2+1x/2	2+1x/2	2+1x/2	2+1x/2	2+1x/2
Track width front, mm	410	410	410	410	410
Track width rear, mm	720	720	720	720	720
Height, mast retracted h1, mm	1970	2370	1780	1980	2250
Free lift h2, mm	1510	1910	-	-	80
Lift, mm	1510	1910	2410	2810	3410
Height, mast extended h4, mm	1970	2370	2990	3410	3900
Fork height max. h3 + h13, mm	1600	2000	2500	2900	3500
Height of control handle in operation max. h14, mm	1350	1350	1350	1350	1350
Height lowered h13, mm	90	90	90	90	90
Overall length l1, mm	1825	1825	1825	1825	1825
Length incl. apron l2, mm	675	675	675	675	675
Overall width b1/b2, mm	850	850	850	850	850
Fork dimensions s/e/l, mm	70 x 150 x 1150	70 x 150 x 1150	70 x 150 x 1150	70 x 150 x 1150	70 x 150 x 1150
Fork carriage width, mm	650	650	650	650	650
Outside dimension of forks b5, mm	560	560	560	560	560
Ground clearance under mast with load m1, mm	40	40	40	40	40
Ground clearance, wheelbase centre m2, mm	40	40	40	40	40
Aisle width pallet, mm	2075	2075	2075	2075	2075
Turning circle radius Wa, mm	1460	1460	1460	1460	1460
Travel speed with/without load, km/h	4.0/5.0	4.0/5.0	4.0/5.0	4.0/5.0	4.0/5.0
Lifting speed with/without load, m/s	0.09/0.12	0.09/0.12	0.07/0.1	0.07/0.1	0.07/0.1
Lowering speed with/without load, m/s	0.4/0.1	0.4/0.1	0.4/0.1	0.4/0.1	0.4/0.1
Gradient with/without load, %	5/10	5/10	5/10	5/10	5/10
Max. gradient with/without load, %	5/10	5/10	5/10	5/10	5/10
Service brake	electric	electric	electric	electric	electric
Drive motor rating S2 60 min, kW	0.5	0.5	0.7	0.7	0.7
Hoist motor, kW	2.2	2.2	2.2	2.2	2.2
Battery***	starter	starter	starter	starter	starter
Battery voltage, V/Ah	2 x 12/70	2 x 12/70	2 x 12/92	2 x 12/92	2 x 12/92
Battery weight, kg	36	36	44	44	44
Type of control	impulse	impulse	impulse	impulse	impulse
Battery charger, V/A	24/13	24/13	24/20	24/20	24/20

** PA...Polyamide, PUR...Polyurethane, VG...Solid rubber, S...Steel
S...Single, T...Tandem

*** Starter...starter battery, PzS...traction battery



Model EGV TG

Electric pedestrian stackers model EGV LE

Capacity 1200 - 1600 kg,
fork height max. 4500 mm

Ideal for stacking and transportation of palletised loads within a warehouse environment for long haul and high work load applications.

Features

- Multifunctional control handle for easy handling. The electric pallet lift truck will automatically be slowed down if the control handle is not longer in the users hand.
- Reliable impulse control for stepless regulation of drive speed.
- Compact electric-hydraulic lifting device and overload protection.
- Finely metered lowering of load through pressure relief valve and adjustable lowering valve.
- Mast welded from precision profiles, fork carriage with maintenance free guide rollers.
- Solid frame with one drive wheel and two load and two guide rollers.
- Battery size depends on the type of application.



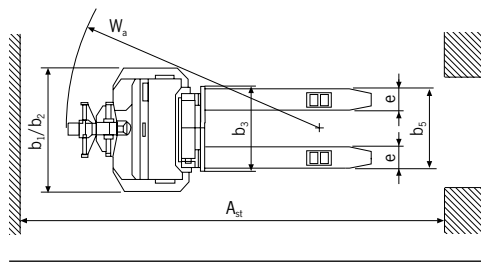
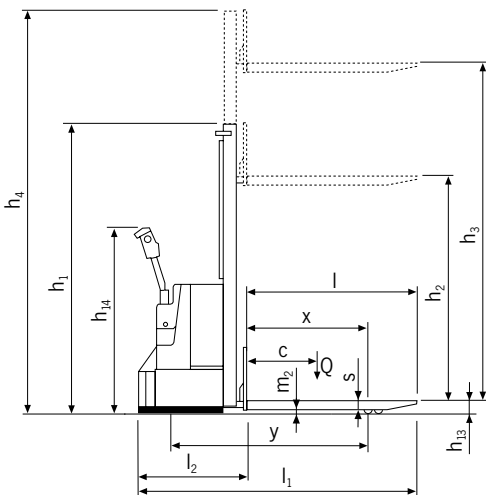
Battery and battery charger are to be ordered separately.

Technical data model EGV LE

Model	EGV LE 12-16	EGV LE 12-25	EGV LE 12-29	EGV LE 12-35
EAN-No. 4025092*	*250887	*253512	*250894	*253536
Actuation	electric	electric	electric	electric
Operation	pedestrian	pedestrian	pedestrian	pedestrian
Capacity, kg	1200	1200	1200	1200
Load centre c, mm	600	600	600	600
Load distance x, mm	600	600	600	600
Wheelbase y, mm	1235	1235	1235	1235
Weight (Tare weight incl. battery), kg	650	725	780	790
Tyre type front/rear**	PUR+VG/PUR	PUR+VG/PUR	PUR+VG/PUR	PUR+VG/PUR
Tyre size front, mm	250 x 76+125 x 50	250 x 76+125 x 50	250 x 76+125 x 50	250 x 76+125 x 50
Tyre size rear, mm	82 x 70	82 x 70	82 x 70	82 x 70
Number of wheels front/rear (x=driven)	2+1x/2	2+1x/2	2+1x/2	2+1x/2
Track width front, mm	410	410	410	410
Track width rear, mm	720	720	720	720
Height, mast retracted h1, mm	1965	1765	1965	2265
Free lift h2, mm	1510	-	-	-
Lift, mm	1510	2410	2810	3410
Height, mast extended h4, mm	1965	2970	3370	3970
Fork height max. h3+h13, mm	1600	2500	2900	3500
Height of control handle in operation min./max. h14, mm	1050/1385	1050/1385	1050/1385	1050/1385
Height lowered h13, mm	90	90	90	90
Overall length l1, mm	1964	1964	1964	1964
Length incl. apron l2, mm	809	809	809	809
Overall width b1/b2, mm	850	850	850	850
Fork dimensions s/e/l, mm	70 x 150 x 1150	70 x 150 x 1150	70 x 150 x 1150	70 x 150 x 1150
Fork carriage width b3, mm	644	644	644	644
Outside dimension of forks b5, mm	560	560	560	560
Ground clearance under mast with load m1, mm	40	40	40	40
Ground clearance, wheelbase centre m2, mm	20	20	20	20
Aisle width pallet, mm	2228	2228	2228	2228
Turning circle radius Wa, mm	1568	1568	1568	1568
Travel speed with/without load, km/h	5.5/6	5.5/6	5.5/6	5.5/6
Lifting speed with/without load, m/s	0.08/0.12	0.08/0.12	0.08/0.12	0.08/0.12
Lowering speed with/without load, m/s	0.4/0.1	0.4/0.1	0.4/0.1	0.4/0.1
Gradient with/without load, %	5/10	5/10	5/10	5/10
Max. gradient with/without load, %	5/10	5/10	5/10	5/10
Service brake	electric	electric	electric	electric
Drive motor rating S2 60 min, kW	1.2	1.2	1.2	1.2
Hoist motor, kW	2.5	2.5	2.5	2.5
Battery***	PzS	PzS	PzS	PzS
Battery voltage, V/Ah	24/160-210	24/160-210	24/160-210	24/160-210
Battery weight, kg	190-300	190-300	190-300	190-300
Type of control	impulse	impulse	impulse	impulse

** PA...Polyamide, PUR...Polyurethane, VG...Solid rubber, S...Steel
S...Single, T...Tandem

*** Starter...starter battery, PzS...traction battery



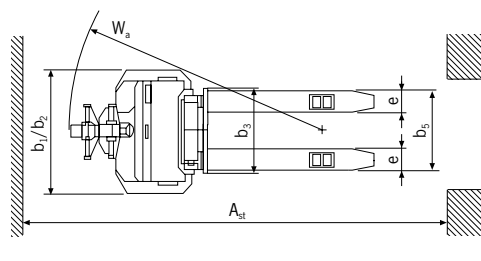
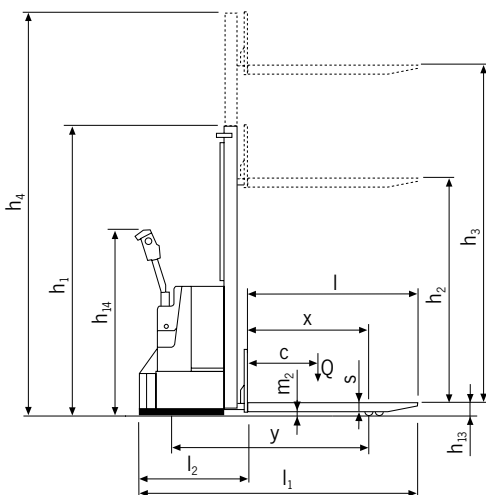
Model EGV LE

Technical data model EGV LE

Model	EGV LE 14-45T	EGV LE 16-16	EGV LE 16-25	EGV LE 16-29	EGV LE 16-35
EAN-No. 4025092*	*253819	*250948	*253567	*250955	*253413
Actuation	electric	electric	electric	electric	electric
Operation	pedestrian	pedestrian	pedestrian	pedestrian	pedestrian
Capacity, kg	1400	1600	1600	1600	1600
Load centre c, mm	600	600	600	600	600
Load distance x, mm	600	600	600	600	600
Wheelbase y, mm	1429	1429	1429	1429	1429
Weight (Tare weight incl. battery), kg	1010	754	849	874	914
Tyre type front/rear**	PUR+VG/PUR	PUR+VG/PUR	PUR+VG/PUR	PUR+VG/PUR	PUR+VG/PUR
Tyre size front, mm	250 x 101+125 x 50	250 x 101+125 x 50	250 x 101+125 x 50	250 x 101+125 x 50	250 x 101+125 x 50
Tyre size rear, mm	82 x 70	82 x 70	82 x 70	82 x 70	82 x 70
Number of wheels front/rear (x=driven)	2+1x/4	2+1x/4	2+1x/4	2+1x/4	2+1x/4
Track width front, mm	390	390	390	390	390
Track width rear, mm	720	720	720	720	720
Height, mast retracted h1, mm	2099	1965	1765	1965	2265
Free lift h2, mm	-	1510	-	-	-
Lift, mm	4410	1510	2410	2810	3410
Height, mast extended h4, mm	5039	1965	2970	3370	3970
Fork height max. h3+h13, mm	4500	1600	2500	2900	3500
Height of control handle in operation min./max. h14	1050/1385	970/1385	970/1385	970/1385	970/1385
Height lowered h13, mm	90	90	90	90	90
Overall length l1, mm	2001	1991	1991	1991	1991
Length incl. apron l2, mm	851	841	841	841	841
Overall width b1/b2, mm	850	850	850	850	850
Fork dimensions s/e/l, mm	70 x 170 x 1150	70 x 170 x 1150	70 x 170 x 1150	70 x 170 x 1150	70 x 170 x 1150
Outside dimension of forks b5, mm	560	560	560	560	560
Ground clearance under mast with load m1, mm	40	40	40	40	40
Ground clearance, wheelbase centre m2, mm	20	20	20	20	20
Aisle width pallet, mm	2252	2241	2241	2241	2241
Turning circle radius Wa, mm	1649	1649	1649	1649	1649
Travel speed with/without load, km/h	5.5/6	5.5/6	5.5/6	5.5/6	5.5/6
Lifting speed with/without load, m/s	0.13/0.17	0.08/0.12	0.08/0.12	0.08/0.12	0.08/0.12
Lowering speed with/without load, m/s	0.4/0.1	0.4/0.1	0.4/0.1	0.4/0.1	0.4/0.1
Gradient with/without load, %	0.4/0.1	0.4/0.1	0.4/0.1	0.4/0.1	0.4/0.1
Max. gradient with/without load, %	5/10	5/10	5/10	5/10	5/10
Service brake	electric	electric	electric	electric	electric
Drive motor rating S2 60 min, kW	1.2	1.2	1.2	1.2	1.2
Hoist motor, kW	2.5	2.5	2.5	2.5	2.5
Battery***	PzS	PzS	PzS	PzS	PzS
Battery voltage, V/Ah	24/160-210	24/160-210	24/160-210	24/160-210	24/160-210
Battery weight, kg	190-300	190-300	190-300	190-300	190-300
Type of control	impulse	impulse	impulse	impulse	impulse
Fork carriage width, mm	644	644	644	644	644

** PA...Polyamide, PUR...Polyurethane, VG...Solid rubber, S...Steel
S...Single, T...Tandem

*** Starter...starter battery, PzS...traction battery



Model EGV LE

Electric pedestrian stackers model EGV LV

Capacity 1200 - 2000 kg,
fork height max. 4500 mm

Ideal for stacking and transportation of palletised loads within a warehouse environment for long haul and high work load applications.

Features

- Multifunctional control handle for easy handling. The electric pallet lift truck will automatically be slowed down if the control handle is not longer in the users hand.
- Reliable impulse control for stepless regulation of drive speed.
- Compact electric-hydraulic lifting device and over-load protection.
- Finely metered lowering of load through pressure relief valve and adjustable lowering valve.
- Mast welded from precision profiles, fork carriage with maintenance free guide rollers.
- Excellent all round vision when manoeuvring and positioning the load due to high visibility mast.
- Low overall height and high maximal fork height with triplex mast.
- Solid frame with one drive wheel, two support wheels and four load rollers.
- Battery size depends on the type of application.

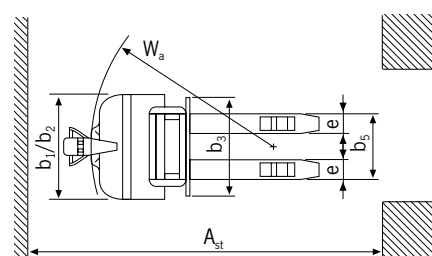
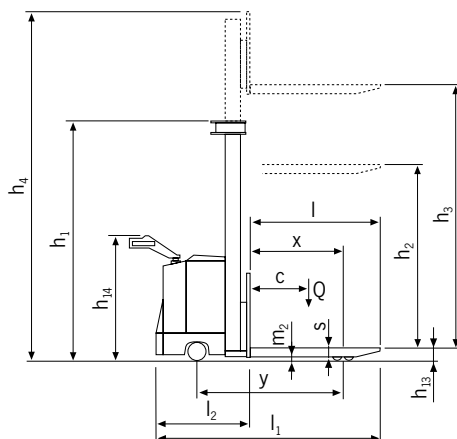


Battery and battery charger are to be ordered separately.

Technical data model EGV LV

Model	EGV LV 12-16	EGV LV 12-25	EGV LV 12-30	EGV LV 12-35T
EAN-No. 4025092*	*254137	*252805	*252706	*252058
Actuation	electric	electric	electric	electric
Operation	pedestrian	pedestrian	pedestrian	pedestrian
Capacity, kg	1200	1200	1200	1200
Load centre c, mm	600	600	600	600
Load distance x, mm	770	770	770	775
Wheelbase y, mm	1365	1385	1385	1415
Weight (Tare weight incl. battery), kg	619	650	730	850
Tyre type front/rear**	PUR/PUR	PUR/PUR	PUR/PUR	PUR/PUR
Tyre size front, mm	240 x 75+125 x 50	240 x 110+125 x 50	240 x 110+125 x 50	240 x 110+125 x 50
Tyre size rear, mm	80 x 70	80 x 70	80 x 70	80 x 70
Number of wheels front/rear	2+1x/4	2+1x/4	2+1x/4	2+1x/4
Track width front, mm	700	700	700	860
Track width rear, mm	370	370	370	370
Height, mast retracted h1, mm	1990	1740	1990	1745
Free lift h2, mm	1450	200	200	-
Lift, mm	1510	2410	2910	3410
Height, mast extended h4, mm	2120	3020	3520	4020
Fork height max. h3+h13, mm	1600	2500	3000	3500
Height of control handle in operation min./max. h14, mm	1045/1200	1045/1200	1045/1200	1045/1200
Height lowered h13, mm	90	90	90	90
Overall length l1, mm	1920	1940	1940	1970
Length incl. apron l2, mm	760	780	780	820
Overall width b1/b2, mm	840	840	840	1000
Fork dimensions s/e/l, mm	65 x 160 x 1150	65 x 160 x 1150	65 x 160 x 1150	65 x 160 x 1150
Fork carriage width, mm	760	760	760	760
Outside dimension of forks b5, mm	530	530	530	530
Ground clearance under mast with load m1, mm	30	30	30	30
Ground clearance, wheelbase centre m2, mm	28	28	28	28
Aisle width pallet, mm	1900	1900	1900	1900
Turning circle radius Wa, mm	1550	1570	1570	1630
Travel speed with/without load, km/h	3/4	3/4	3/4	3/4
Lifting speed with/without load, m/s	0.09/0.15	0.09/0.15	0.09/0.15	0.1/0.21
Lowering speed with/without load, m/s	0.09/0.1	0.09/0.1	0.09/0.1	0.12/0.1
Gradient with/without load, %	5/10	5/10	5/10	5/10
Max. gradient with/without load, %	5/10	5/10	5/10	5/10
Service brake	electric	electric	electric	electric
Drive motor rating S2 60 min, kW	1.3	1.3	1.3	1.3
Hoist motor, kW	2.2	2.2	2.2	2.2
Battery***	PzS	PzS	PzS	PzS
Battery voltage, V/Ah	24/160-270	24/160-270	24/160-270	24/160-270
Battery weight, kg	120-230	120-230	120-230	120-230
Type of control	impulse	impulse	impulse	impulse

**PA...Polyamide, PUR...Polyurethane, VG...Solid rubber, S...Steel S...Single, T...Tandem
 ***Starter...starter battery, PzS...traction battery



Model EGV LV

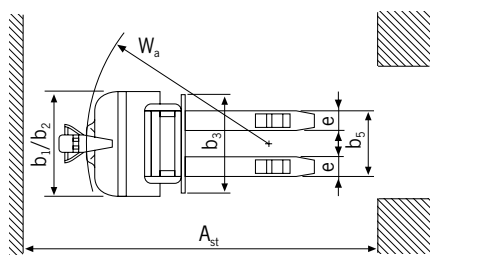
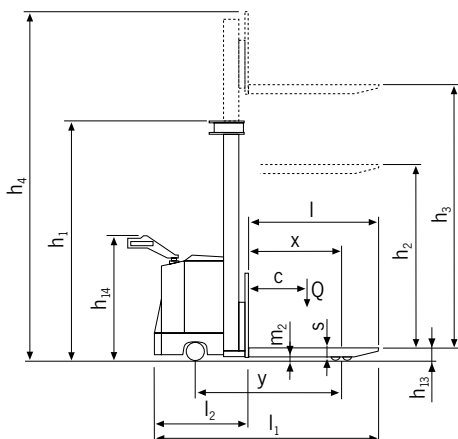
Technical data model EGV LV

Model	EGV LV 12-40T	EGV LV 12-45T	EGV LV 15-16	EGV LV 15-25
EAN-No. 4025092*	*253970	*252546	*253987	*253994
Actuation	electric	electric	electric	electric
Operation	pedestrian	pedestrian	pedestrian	pedestrian
Capacity, kg	1200	1200	1500	1500
Load centre c, mm	600	600	600	600
Load distance x, mm	775	775	770	770
Wheelbase y, mm	1415	1415	1365	1385
Weight (Tare weight incl. battery), kg	883	916	610	650
Tyre type front/rear**	PUR/PUR	PUR/PUR	PUR/PUR	PUR/PUR
Tyre size front, mm	240 x 110+125 x 50	240 x 110+125 x 50	240 x 110+125 x 50	240 x 110+125 x 50
Tyre size rear, mm	80 x 70	80 x 70	80 x 70	80 x 70
Number of wheels front/rear	2+1x/4	2+1x/4	2+1x/4	2+1x/4
Track width front, mm	860	860	700	700
Track width rear, mm	370	370	370	370
Height, mast retracted h1, mm	1910	2075	1990	1740
Free lift h2, mm	-	-	1450	200
Lift, mm	3910	4410	1510	2410
Height, mast extended h4, mm	4520	5020	2120	3020
Fork height max. h3+h13, mm	4000	4500	1600	2500
Height of control handle in operation min./max. h14, mm	1045/1200	1045/1200	1045/1200	1045/1200
Height lowered h13, mm	90	90	90	90
Overall length l1, mm	1970	1970	1820	1940
Length incl. apron l2, mm	820	820	760	780
Overall width b1/b2, mm	1000	1000	840	840
Fork dimensions s/e/l, mm	65 x 160 x 1150	65 x 160 x 1150	65 x 160 x 1150	65 x 160 x 1150
Fork carriage width, mm	760	760	760	760
Outside dimension of forks b5, mm	530	530	530	530
Ground clearance under mast with load m1, mm	30	30	30	30
Ground clearance, wheelbase centre m2, mm	28	28	28	28
Aisle width pallet, mm	1900	1900	1900	1900
Turning circle radius Wa, mm	1630	1630	1550	1570
Travel speed with/without load, km/h	3/4	3/4	3/4	3/4
Lifting speed with/without load, m/s	0.1/0.21	0.1/0.21	0.08/0.15	0.08/0.15
Lowering speed with/without load, m/s	0.12/0.1	0.12/0.1	0.1/0.1	0.1/0.1
Gradient with/without load, %	5/10	5/10	5/10	5/10
Max. gradient with/without load, %	5/10	5/10	5/10	5/10
Service brake	electric	electric	electric	electric
Drive motor rating S2 60 min, kW	1.3	1.3	1.3	1.3
Hoist motor, kW	2.2	2.2	2.2	2.2
Battery	PzS	PzS	PzS	PzS
Battery voltage, V/Ah	24/160-270	24/160-270	24/160-270	24/160-270
Battery weight, kg	120-230	120-230	120-230	120-230
Type of control	impulse	impulse	impulse	impulse

**PA...Polyamide, PUR...Polyurethane, VG...Solid rubber, S...Steel

S...Single, T...Tandem

***Starter...starter battery, PzS...traction battery

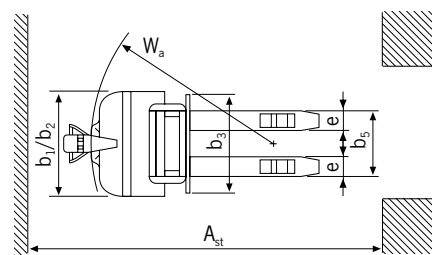
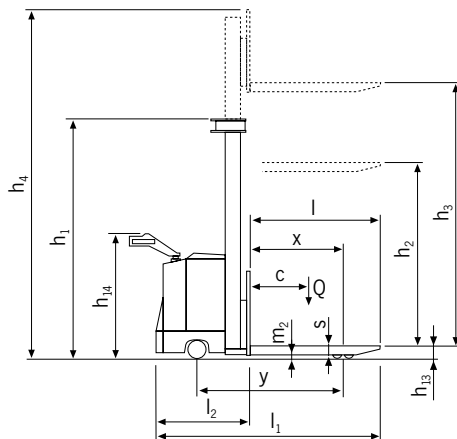


Model EGV LV

Technical data model EGV LV

Model	EGV LV 15-30	EGV LV 15-35T	EGV LV 15-40T	EGV LV 15-45T
EAN-No. 4025092*	*252485	*254144	*251648	*251952
Actuation	electric	electric	electric	electric
Operation	pedestrian	pedestrian	pedestrian	pedestrian
Capacity, kg	1500	1500	1500	1500
Load centre c, mm	600	600	600	600
Load distance x, mm	770	775	775	775
Wheelbase y, mm	1385	1415	1415	1415
Weight (Tare weight incl. battery), kg	730	866	903	940
Tyre type front/rear**	PUR/PUR	PUR/PUR	PUR/PUR	PUR/PUR
Tyre size front, mm	240 x 110+125 x 50	240 x 110+125 x 50	240 x 110+125 x 50	240 x 110+125 x 50
Tyre size rear, mm	80 x 70	80 x 70	80 x 70	80 x 70
Number of wheels front/rear	2+1x/4	2+1x/4	2+1x/4	2+1x/4
Track width front, mm	700	860	860	860
Track width rear, mm	370	370	370	370
Height, mast retracted h1, mm	1990	1745	1910	2075
Free lift h2, mm	200	-	-	-
Lift, mm	2910	3410	3910	4410
Height, mast extended h4, mm	3520	4020	4520	5020
Fork height max. h3+h13, mm	3000	3500	4000	4500
Height of control handle in operation min./max. h14, mm	1045/1200	1045/1200	1045/1200	1045/1200
Height lowered h13, mm	90	90	90	90
Overall length l1, mm	1940	1970	1970	1970
Length incl. apron l2, mm	780	820	820	820
Overall width b1/b2, mm	840	1000	1000	1000
Fork dimensions s/e/l, mm	65 x 160 x 1150	65 x 160 x 1150	65 x 160 x 1150	65 x 160 x 1150
Fork carriage width, mm	760	760	760	760
Outside dimension of forks b5, mm	530	530	530	530
Ground clearance under mast with load m1, mm	30	30	30	30
Ground clearance, wheelbase centre m2, mm	28	28	28	28
Aisle width pallet, mm	1900	1900	1900	1900
Turning circle radius Wa, mm	1570	1630	1630	1630
Travel speed with/without load, km/h	3/4	3/4	3/4	3/4
Lifting speed with/without load, m/s	0.08/0.15	0.011/0.14	0.011/0.14	0.011/0.14
Lowering speed with/without load, m/s	0.1/0.1	0.076/0.1	0.076/0.1	0.076/0.1
Gradient with/without load, %	5/10	5/10	5/10	5/10
Max. gradient with/without load, %	5/10	5/10	5/10	5/10
Service brake	electric	electric	electric	electric
Drive motor rating S2 60 min, kW	1.3	1.3	1.3	1.3
Hoist motor, kW	2.2	2.2	2.2	2.2
Battery	PzS	PzS	PzS	PzS
Battery voltage, V/Ah	24/160-270	24/160-270	24/160-270	24/160-270
Battery weight, kg	120-230	120-230	120-230	120-230
Type of control	impulse	impulse	impulse	impulse

**PA...Polyamide, PUR...Polyurethane, VG...Solid rubber, S...Steel S...Single, T...Tandem
 ***Starter...starter battery, PzS...traction battery



Model EGV LV

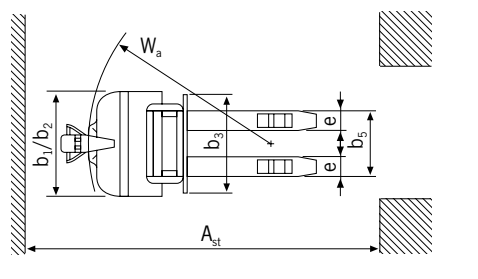
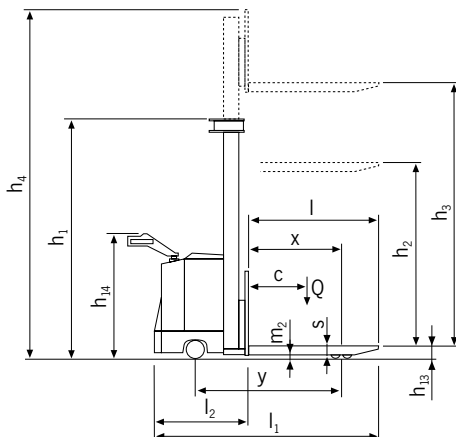
Technical data model EGV LV

Model	EGV LV 20-16	EGV LV 20-25	EGV LV 20-30	EGV LV 20-35
EAN-No. 4025092*	*253376	*252560	*253628	*252348
Actuation	electric	electric	electric	electric
Operation	pedestrian	pedestrian	pedestrian	pedestrian
Capacity, kg	2000	2000	2000	2000
Load centre c, mm	600	600	600	600
Load distance x, mm	770	770	770	770
Wheelbase y, mm	1385	1405	1405	1405
Weight (Tare weight incl. battery), kg	785	886	918	950
Tyre type front/rear**	PUR/PUR	PUR/PUR	PUR/PUR	PUR/PUR
Tyre size front, mm	240 x 110+125 x 50	240 x 110+125 x 50	240 x 110+125 x 50	240 x 125+125 x 50
Tyre size rear, mm	80 x 70	80 x 70	80 x 70	80 x 70
Number of wheels front/rear	2+1x/4	2+1x/4	2+1x/4	2+1x/4
Track width front, mm	700	700	700	860
Track width rear, mm	370	370	370	370
Height, mast retracted h1, mm	1990	1740	1990	2240
Free lift h2, mm	1450	200	200	-
Lift, mm	1510	2410	2910	3410
Height, mast extended h4, mm	2120	3020	3520	4020
Fork height max. h3+h13, mm	1600	2500	3000	3500
Height of control handle in operation min./max. h14, mm	1045/1200	1045/1200	1045/1200	1045/1200
Height lowered h13, mm	90	90	90	90
Overall length l1, mm	1940	1960	1960	1960
Length incl. apron l2, mm	780	800	800	800
Overall width b1/b2, mm	1000	1000	1000	1000
Fork dimensions s/e/l, mm	70 x 180 x 1150	70 x 180 x 1150	70 x 180 x 1150	70 x 180 x 1150
Fork carriage width, mm	760	760	760	760
Outside dimension of forks b5, mm	550	550	550	550
Ground clearance under mast with load m1, mm	25	25	25	25
Ground clearance, wheelbase centre m2, mm	23	23	23	23
Aisle width pallet, mm	1900	1900	1900	1900
Turning circle radius Wa, mm	1570	1570	1570	1570
Travel speed with/without load, km/h	3/4	3/4	3/4	3/4
Lifting speed with/without load, m/s	0.06/0.09	0.06/0.09	0.06/0.09	0.06/0.09
Lowering speed with/without load, m/s	0.1/0.08	0.1/0.08	0.1/0.08	0.1/0.08
Gradient with/without load, %	5/10	5/10	5/10	5/10
Max. gradient with/without load, %	5/10	5/10	5/10	5/10
Service brake	electric	electric	electric	electric
Drive motor rating S2 60 min, kW	1.3	1.3	1.3	1.3
Hoist motor, kW	2	2	2	2
Battery	PzS	PzS	PzS	PzS
Battery voltage, V/Ah	24/160-270	24/160-270	24/160-270	24/160-270
Battery weight, kg	120-230	120-230	120-230	120-230
Type of control	impulse	impulse	impulse	impulse

**PA...Polyamide, PUR...Polyurethane, VG...Solid rubber, S...Steel

S...Single, T...Tandem

***Starter...starter battery, PzS...traction battery



Model EGV LV

Electric pedestrian stackers with initial lift model EGI LD

Capacity 1200 - 1500 kg,
fork height max. 3500 mm

Ideal for operation on inclines and ramps within a warehouse environment, for stacking and transporting palletised loads in longer haul and high work load applications.

Features

- Multifunctional control handle for easy handling.
The electric pallet lift truck will automatically be slowed down if the control handle is not longer in the users hand.
- Reliable impulse control for stepless regulation of drive speed.
- Compact electric-hydraulic lifting device and over-load protection.
- Finely metered lowering of the load through pressure relief valve and adjustable lowering valve.
- Mast welded from precision profiles, fork carriage with maintenance free guide rollers.
- For double deck loading in demanding conditions on inclines and ramps.
- Solid frame with one drive wheel, two support wheels and four load rollers.
- Battery size depends on the type of application.



Battery and battery charger are to be ordered separately.

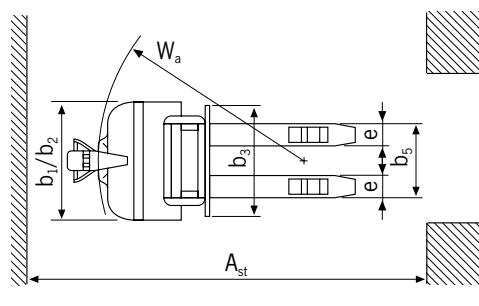
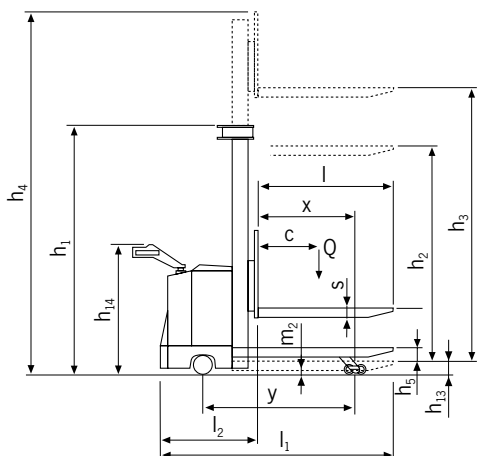
Technical data model EGI LD

Model	EGI LD 12-16	EGI LD 12-25	EGI LD 12-30	EGI LD 12-35
EAN-No. 4025092*	*254007	*254014	*252324	*254021
Actuation	electric	electric	electric	electric
Operation	pedestrian	pedestrian	pedestrian	pedestrian
Capacity, kg	1200	1200	1200	1200
Load centre c, mm	600	600	600	600
Load distance x, mm	875	840	840	840
Wheelbase y, mm	1575	1575	1575	1575
Weight (Tare weight incl. battery), kg	613	677	687	725
Tyre type front/rear**	VG/PUR	VG/PUR	VG/PUR	VG/PUR
Tyre size front, mm	240 x 75 + 125 x 50	240 x 75 + 125 x 50	240 x 75 + 125 x 50	240 x 75 + 125 x 50
Tyre size rear, mm	80 x 70	80 x 70	80 x 70	80 x 70
Number of wheels front/rear	2+1x/4	2+1x/4	2+1x/4	2+1x/4
Track width front, mm	700	700	700	860
Track width rear, mm	370	370	370	370
Height, mast retracted h1, mm	1990	1740	1990	2250
Free lift h2, mm	1450	200	200	-
Lift, mm	1510	2410	2910	3410
Height, mast extended h4, mm	2120	3020	3520	4020
Initial lift	110	110	110	110
Fork height max. h3+h13, mm	1600	2500	3000	3500
Height of control handle in operation min./max. h14, mm	1045/1200	1045/1200	1045/1200	1045/1200
Height lowered h13, mm	90	90	90	90
Overall length l1, mm	2025	2060	2060	2060
Length incl. apron l2, mm	885	920	920	920
Overall width b1/b2, mm	840	840	840	1000
Fork dimensions s/e/l, mm	65 x 180 x 1150	65 x 180 x 1150	65 x 180 x 1150	65 x 180 x 1150
Fork carriage width, mm	760	760	760	760
Outside dimension of forks b5, mm	560	560	560	560
Ground clearance under mast with load m1, mm	25	25	25	25
Ground clearance, wheelbase centre m2, mm	22	22	22	22
Aisle width pallet, mm	1950	1950	1950	1950
Turning circle radius Wa, mm	1770	1770	1770	1770
Travel speed with/without load, km/h	4.2/5.3	4.2/5.3	4.2/5.3	4.2/5.3
Lifting speed with/without load, m/s	0.1/0.18	0.1/0.18	0.1/0.18	0.1/0.18
Lowering speed with/without load, m/s	0.1/0.12	0.1/0.12	0.1/0.12	0.1/0.12
Gradient with/without load, %	5/10	5/10	5/10	5/10
Max. gradient with/without load, %	5/10	5/10	5/10	5/10
Service brake	electric	electric	electric	electric
Drive motor rating S2 60 min, kW	1.2	1.2	1.2	1.2
Hoist motor, kW	2	2	2	2
Battery***	PzS	PzS	PzS	PzS
Battery voltage, V/Ah	24/160-270	24/160-270	24/160-270	24/160-270
Battery weight, kg	120-230	120-230	120-230	120-230
Type of control	impulse	impulse	impulse	impulse

**PA...Polyamide, PUR...Polyurethane, VG...Solid rubber, S...Steel

S...Single, T...Tandem

***Starter...starter battery, PzS...traction battery



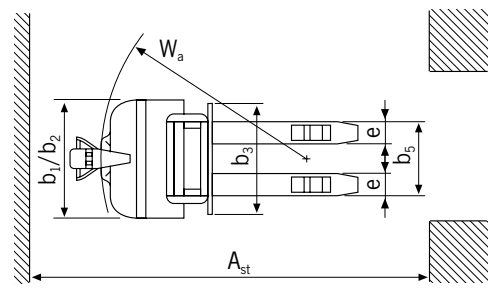
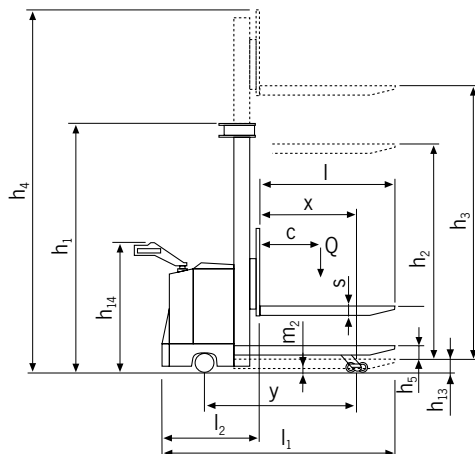
Model EGI LD

Technical data model EGI LD

Model	EGI LD 15-16	EGI LD 15-25	EGI LD 15-30	EGI LD 15-35
EAN-No. 4025092*	*254038	*253338	*251808	*252744
Actuation	electric	electric	electric	electric
Operation	pedestrian	pedestrian	pedestrian	pedestrian
Capacity, kg	1500	1500	1500	1500
Load centre c, mm	600	600	600	600
Load distance x, mm	875	840	840	840
Wheelbase y, mm	1595	1595	1595	1595
Weight (Tare weight incl. battery), kg	653	723	780	833
Tyre type front/rear**	VG/PUR	VG/PUR	VG/PUR	VG/PUR
Tyre size front, mm	240 x 75 + 125 x 50	240 x 75+125 x 50	240 x 75 + 125 x 50	240 x 75+125 x 50
Tyre size rear, mm	80 x 70	80 x 70	80 x 70	80 x 70
Number of wheels front/rear	2+1x/4	2+1x/4	2+1x/4	2+1x/4
Track width front, mm	700	700	700	860
Track width rear, mm	370	370	370	370
Height, mast retracted h1, mm	1990	1740	1990	2250
Free lift h2, mm	1450	200	200	-
Lift, mm	1510	2410	2910	3410
Height, mast extended h4, mm	2120	3020	3520	4020
Initial lift	110	110	110	110
Fork height max. h3+h13, mm	1600	2500	3000	3500
Height of control handle in operation min./max. h14, mm	1045/1200	1045/1200	1045/1200	1045/1200
Height lowered h13, mm	90	90	90	90
Overall length l1, mm	2045	2080	2080	2080
Length incl. apron l2, mm	905	940	940	940
Overall width b1/b2, mm	840	840	840	1000
Fork dimensions s/e/l, mm	65 x 180 x 1150	65 x 180 x 1150	65 x 180 x 1150	65 x 180 x 1150
Fork carriage width, mm	760	760	760	760
Outside dimension of forks b5, mm	560	560	560	560
Ground clearance under mast with load m1, mm	25	25	25	25
Ground clearance, wheelbase centre m2, mm	22	22	22	22
Aisle width pallet, mm	1950	1950	1950	1950
Turning circle radius Wa, mm	1790	1790	1790	1790
Travel speed with/without load, km/h	4.2/5.3	4.2/5.3	4.2/5.3	4.2/5.3
Lifting speed with/without load, m/s	0.08/0.12	0.08/0.12	0.09/0.15	0.08/0.12
Lowering speed with/without load, m/s	0.08/0.09	0.08/0.09	0.08/0.09	0.08/0.09
Gradient with/without load, %	5/10	5/10	5/10	5/10
Max. gradient with/without load, %	5/10	5/10	5/10	5/10
Service brake	electric	electric	electric	electric
Drive motor rating S2 60 min, kW	1.2	1.2	1.2	1.2
Hoist motor, kW	2	2	2	2
Battery***	PzS	PzS	PzS	PzS
Battery voltage, V/Ah	24/160-270	24/160-270	24/160-270	24/160-270
Battery weight, kg	120-230	120-230	120-230	120-230
Type of control	impulse	impulse	impulse	impulse

**PA...Polyamide, PUR...Polyurethane, VG...Solid rubber, S...Steel S...Single, T...Tandem

***Starter...starter battery, PzS...traction battery



Model EGI LD

Electric pedestrian four-way stackers model EGY LW

Capacity 1200 - 1500 kg,
fork height max. 3500 mm

Ideal for transporting and stacking long goods under demanding conditions.

Features

- Multifunctional control handle for easy handling. The electric pallet lift truck will automatically be slowed down if the control handle is no longer in the users hand.
- Reliable impulse control for stepless regulation of drive speed.
- Compact electric-hydraulic lifting device and over-load protection.
- Finely metered lowering of load through pressure relief valve and adjustable lowering valve.
- Compact electric-hydraulic lifting device, over-load protection and finely metered lowering of load through pressure relief valve and adjustable lowering valve.
- Mast welded from precision profiles, fork carriage with maintenance free guide rollers.
- Takes maximal advantage of available storage space by using four-way technique, load wheels can be hydraulically rotated 90°.
- Solid frame with one drive wheel and two load and two guide rollers.
- Battery size depends on the type of application.

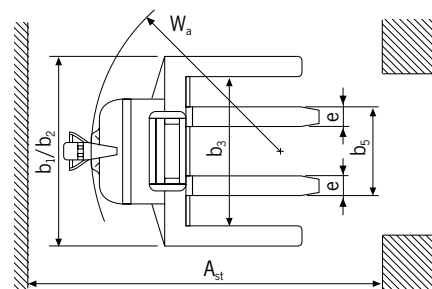
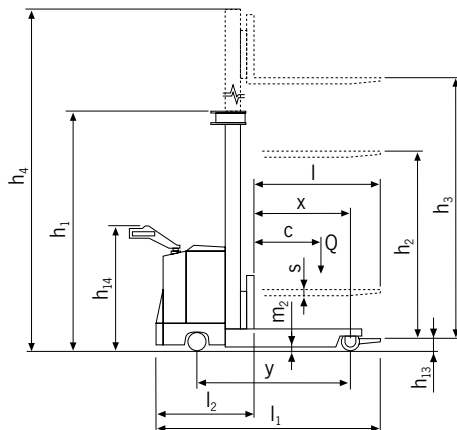
Battery and battery charger are to be ordered separately.



Technical data model EGY LW

Model	EGY LW 12-16	EGY LW 12-25	EGY LW 12-30	EGY LW 12-35
EAN-No. 4025092*	*254045	*254052	*254069	*254076
Actuation	electric	electric	electric	electric
Operation	pedestrian	pedestrian	pedestrian	pedestrian
Capacity, kg	1200	1200	1200	1200
Load centre c, mm	450	450	450	450
Load distance x, mm	840	820	820	820
Wheelbase y, mm	1285	1305	1305	1305
Weight (Tare weight incl. battery), kg	669	700	780	805
Tyre type front/rear**	PUR/PA	PUR/PA	PUR/PA	PUR/PA
Tyre size front, mm	240 x 110+125 x 50	240 x 110+125 x 50	240 x 110+125 x 50	240 x 110+125 x 50
Tyre size rear, mm	125 x 50	125 x 50	125 x 50	125 x 50
Number of wheels front/rear	2+1x/4	2+1x/4	2+1x/4	2+1x/4
Track width front, mm	750	750	750	750
Track width rear, mm	1500	1500	1500	1500
Height, mast retracted h1, mm	1900	1740	1990	2250
Free lift h2, mm	1450	200	200	-
Lift, mm	1530	2430	2930	3430
Height, mast extended h4, mm	2070	2970	3470	3970
Fork height max. h3+h13, mm	1600	2500	3000	3500
Height of control handle in operation min./max. h14, mm	1045/1200	1045/1200	1045/1200	1045/1200
Height lowered h13, mm	70	70	70	70
Overall length l1, mm	1780	1810	1810	1810
Length incl. apron l2, mm	840	860	860	860
Overall width b1/b2, mm	1620	1620	1620	1620
Fork dimensions s/e/l, mm	65 x 160 x 950	65 x 160 x 950	65 x 160 x 950	65 x 160 x 950
Fork carriage width, mm	1380	1380	1380	1380
Outside dimension of forks b5, mm	350-1000	350-1000	350-1000	350-1000
Ground clearance under mast with load m1, mm	30	30	30	30
Ground clearance, wheelbase centre m2, mm	90	90	90	90
Aisle width pallet, mm	2200	2200	2200	2200
Turning circle radius Wa, mm	1510	1510	1510	1510
Travel speed with/without load, km/h	3/4	3/4	3/4	3/4
Lifting speed with/without load, m/s	0.09/0.15	0.09/0.15	0.09/0.15	0.08/0.15
Lowering speed with/without load, m/s	0.09/0.1	0.09/0.1	0.09/0.1	0.1/0.1
Gradient with/without load, %	5/10	5/10	5/10	5/10
Max. gradient with/without load, %	5/10	5/10	5/10	5/10
Service brake	electric	electric	electric	electric
Drive motor rating S2 60 min, kW	1.3	1.3	1.3	1.3
Hoist motor rating, kW	2.2	2.2	2.2	2.2
Battery***	PzS	PzS	PzS	PzS
Battery voltage, V/Ah	24/160-270	24/160-270	24/160-270	24/160-270
Battery weight, kg	120-230	120-230	120-230	120-230
Type of control	impulse	impulse	impulse	impulse

**PA...Polyamide, PUR...Polyurethane, VG...Solid rubber, S...Steel S...Single, T...Tandem
 ***Starter...starter battery, PzS...traction battery



Model EGI LW

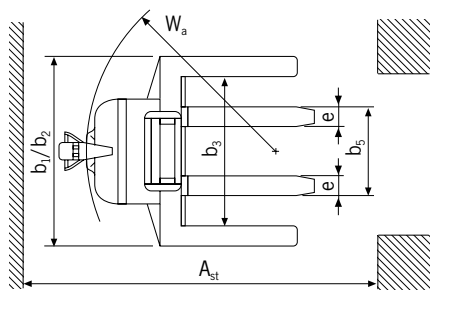
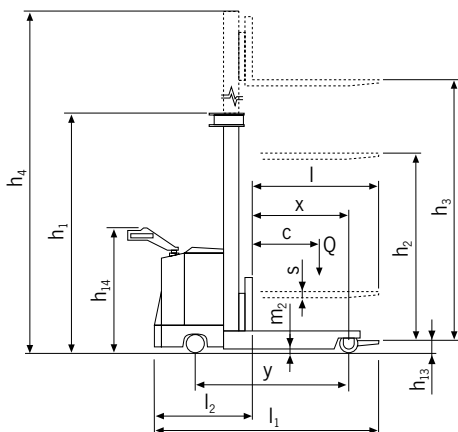
Technical data model EGY LW

Model	EGY LW 15-16	EGY LW 15-25	EGY LW 15-30	EGY LW 15-35
EAN-No. 4025092*	*254083	*253772	*254090	*251815
Actuation	electric	electric	electric	electric
Operation	pedestrian	pedestrian	pedestrian	pedestrian
Capacity, kg	1500	1500	1500	1500
Load centre c, mm	450	450	450	450
Load distance x, mm	840	820	820	820
Wheelbase y, mm	1285	1305	1305	1305
Weight (Tare weight incl. battery), kg	669	700	780	805
Tyre type front/rear**	PUR/PA	PUR/PA	PUR/PA	PUR/PA
Tyre size front, mm	240 x 110+125 x 50	240 x 110+125 x 50	240 x 110+125 x 50	240 x 110+125 x 50
Tyre size rear, mm	125 x 50	125 x 50	125 x 50	125 x 50
Number of wheels front/rear	2+1x/4	2+1x/4	2+1x/4	2+1x/4
Track width front, mm	750	750	750	750
Track width rear, mm	1500	1500	1500	1500
Height, mast retracted h1, mm	1990	1740	1990	2250
Free lift h2, mm	200	200	200	-
Lift, mm	1530	2430	2930	3430
Height, mast extended h4, mm	2070	2970	3470	3970
Fork height max. h3+h13, mm	1600	2500	3000	3500
Height of control handle in operation min./max. h14, mm	1045/1200	1045/1200	1045/1200	1045/1200
Height lowered h13, mm	70	70	70	70
Overall length l1, mm	1780	1810	1810	1810
Length incl. apron l2, mm	840	860	860	860
Overall width b1/b2, mm	1620	1620	1620	1620
Fork dimensions s/e/l, mm	65 x 160 x 950	65 x 160 x 950	65 x 160 x 950	65 x 160 x 950
Fork carriage width, mm	1380	1380	1380	1380
Outside dimension of forks b5, mm	350-1000	350-1000	350-1000	350-1000
Ground clearance under mast with load m1, mm	30	30	30	30
Ground clearance, wheelbase centre m2, mm	90	90	90	90
Aisle width pallet, mm	2200	2200	2200	2200
Turning circle radius Wa, mm	1510	1510	1510	1510
Travel speed with/without load, km/h	3/4	3/4	3/4	3/4
Lifting speed with/without load, m/s	0.08/0.15	0.08/0.15	0.08/0.15	0.08/0.15
Lowering speed with/without load, m/s	0.1/0.1	0.1/0.1	0.1/0.1	0.1/0.1
Gradient with/without load, %	5/10	5/10	5/10	5/10
Max. gradient with/without load, %	5/10	5/10	5/10	5/10
Service brake	electric	electric	electric	electric
Drive motor rating S2 60 min, kW	1.3	1.3	1.3	1.3
Hoist motor rating, kW	2.2	2.2	2.2	2.2
Battery***	PzS	PzS	PzS	PzS
Battery voltage, V/Ah	24/160-270	24/160-270	24/160-270	24/160-270
Battery weight, kg	120-230	120-230	120-230	120-230
Type of control	impulse	impulse	impulse	impulse

**PA...Polyamide, PUR...Polyurethane, VG...Solid rubber, S...Steel

S...Single, T...Tandem

***Starter...starter battery, PzS...traction battery



Model EGI LW



Mobile elevating work bench model HT

Capacity 800 kg,
platform height max. 1475 mm

The elevating work bench is used in manufacturing and assembly processes for positioning and lifting tools or other heavy loads.

Features

- Solid frame with two load and two steer rollers.
- Steer roller with locking device for safe parking of the elevating platform lift.
- Triplex mast for high lifting height 1450 mm.
- Large stroke for every pump action by hydraulic unit with double-acting hand pump protected by a pressure relief valve.
- Manual hydraulic lift.

Option

Electric-hydraulic lift

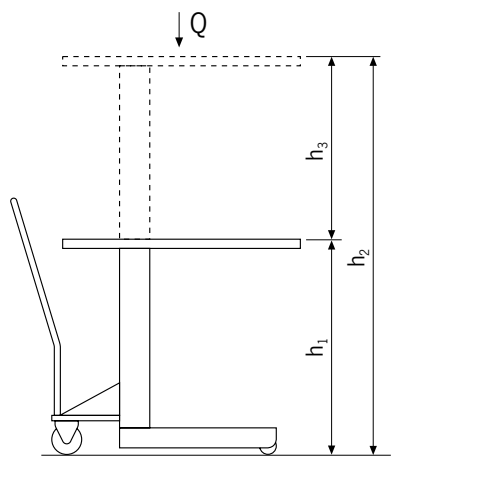
Scope of delivery

Battery and battery charger included.

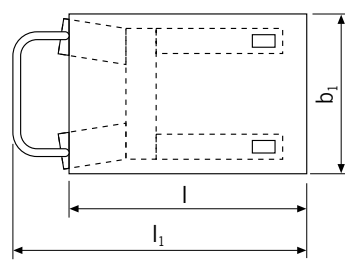
Technical data model HT

Model	HT 08 M	HT 08 E
EAN-No. 4025092*	*251990	*252003
Capacity, kg	800	800
Platform height, max. h ₂ , mm	1475	1475
Platform height, min. h ₁ , mm	690	690
Lift, mm	785	785
Overall length l ₁ , mm	940	940
Platform length l, mm	800	800
Platform width b ₁ , mm	750	750
Ground distance - upper edge wheel arm, mm	170	170
Tyre type front/rear**	PUR/PUR	PUR/PUR
Service brake	manual	manual
Load lift/lever stroke, mm	12.5	-
Lifting speed with/without load, m/s	-	0.08/0.125
Lift motor rating, kW	-	0.8
Battery voltage, V/Ah	-	12/100
Battery charger, V/A	-	12/10
Weight (Tare weight incl. battery), kg	134	160
Battery weight, kg	-	23

**PA...Polyamide, PUR...Polyurethane, VG...Solid rubber, S...Steel
S...Single, T...Tandem



Model HT



Scissor elevating platform,
mobile
model HF/S

Capacity 150 - 1000 kg,
platform height max. 1000 mm

For the independant lifting and supplying of light up to medium loads within a warehouse environment. Furthermore the relation between price and service of the product is another vital aspect to mention.

An elevating platform for lifting and supplying goods independent of the location.

Features

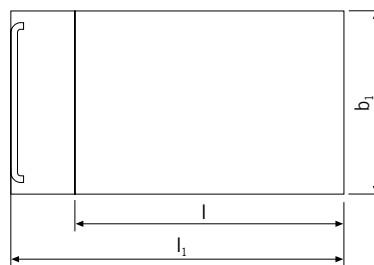
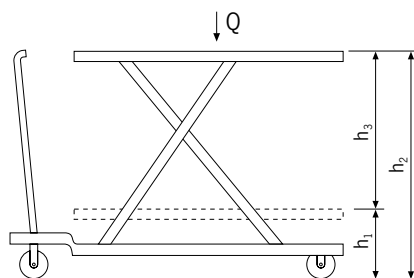
- Stepless manual lever lowering.
- Hydraulic lifting with foot pedal.
- High safety due to pressure relief and lowering valve.
- Single scissor
- Frame and platform are free of torsion.
- Steering and fixed rollers with service-free roller bearings. One steer roller can be locked in position for parking.
- According to EN 1570, prEN 1757-4.



Technical data model HF/S

Model	HF 015-760 SM	HF 025-915 SM	HF 050-1000 SM	HF 075-1000 SM	HF 100-950 SM
EAN-No. 4025092*	*254823	*254830	*254847	*254854	*254861
Capacity, kg	150	250	500	750	1000
Platform height, max. h ₂ , mm	755	910	1000	1000	950
Platform height, min. h ₁ , mm	265	330	435	442	445
Overall width b ₁ , mm	450	500	520	520	520
Overall length l ₁ , mm	950	1010	1185	1260	1260
Platform length l, mm	700	830	1010	1010	1010
Platform width b ₁ , mm	450	500	520	520	520
Tyres**	PUR	PUR	PUR	PUR	PUR
Weight, kg	41	78	118	120	137

**PA...Polyamide, PUR...Polyurethane, VG...Solid rubber, S...Steel
S...Single, T...Tandem



Model HF/S



Scissor elevating platform, mobile model HF/S

Capacity 500 - 1250 kg,
platform height max. 1050 mm

For lifting and supplying goods independent of the location.

Features

- Manual hydraulic system with pedal or electric hydraulic system with dead man function - a main current connection is not required.
- High safety due to pressure relief and lowering valve.
- Robust single scissor construction, above 300 kg with solid steer scissor.
- Pivoting platform with mechanic adjustment for safe maintenance work.
- Compact design with low OAH.
- Steering and fixed rollers with service-free roller bearings. One steer roller can be locked in position for parking.
- According to EN 1570 and machinery directive 89/392.

Scope of delivery

Models with electric-hydraulic pump are supplied complete with battery and charger.

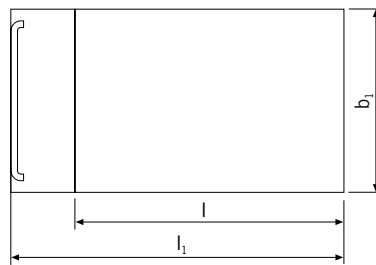
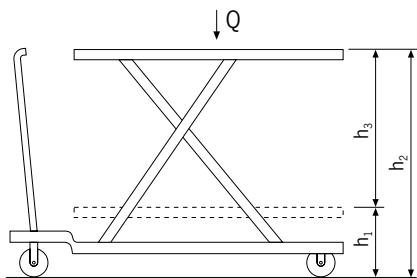


Technical data model HF/S

Model	HF 015-078 SM	HF 030-084 SM	HF 030-084 SE	HF 050-090 SM	HF 050-090 SE	HF 080-105 SM
EAN-No. 4025092*	*252867	*253659	*253826	*253116	*252881	*253475
Capacity, kg	150	300	300	500	500	800
Platform height, max. h ₂ , mm	780	840	840	900	900	1050
Platform height, min. h ₁ , mm	255	335	335	340	340	360
Stroke h ₃ , mm	525	505	505	560	560	690
Overall length l ₁ , mm	990	1050	1130	1320	1330	1650
Overall width b ₁ , mm	450	500	500	610	610	860
Platform length l, mm	760	840	840	1030	1030	1350
Platform width b ₁ , mm	450	500	500	610	610	840
Tyres**	VG	PUR	PUR	PUR	PUR	PA
Service brake	manual	manual	manual	manual	manual	manual
Number of strokes for max. lift	14	18	electro	29	electro	40
Weight***, kg	41	83	120	109	158	222

Model	HF 080-105 SE	HF 100-105 SM	HF 100-105 SE	HF 125-105 SM	HF 125-105 SE
EAN-No. 4025092*	*253239	*252843	*253833	*252904	*253888
Capacity, kg	800	1000	1000	1250	1250
Platform height, max. h ₂ , mm	1050	1050	1050	1050	1050
Platform height, min. h ₁ , mm	360	360	360	360	360
Stroke h ₃ , mm	690	690	690	690	690
Overall length l ₁ , mm	1650	2350	2350	1650	1650
Overall width b ₁ /b ₂ , mm	860	1000	1000	860	860
Platform length l, mm	1350	2000	2000	1350	1350
Platform width b ₁ , mm	840	1000	1000	840	840
Tyres**	PA	PA	PA	PA	PA
Service brake	manual	manual	manual	manual	manual
Number of strokes for max. lift	electro	80	electro	80	electro
Weight***, kg	270	350	397	230	278

**PA...Polyamide, PUR...Polyurethane, VG...Solid rubber, S...Steel S...Single, T...Tandem
 ***Weight = Tare weight incl. battery



Model HF/S



**Scissor elevating platform,
mobile
model HF/D**

Capacity 125 - 800 kg,
platform height max. 1900 mm

Same design as model range HF/S, however, with
double vertical scissor.

Features

- According to EN 1570 and machinery directive 89/392.

Scope of delivery

Models with electric/hydraulic pump are supplied
complete with battery and charger.

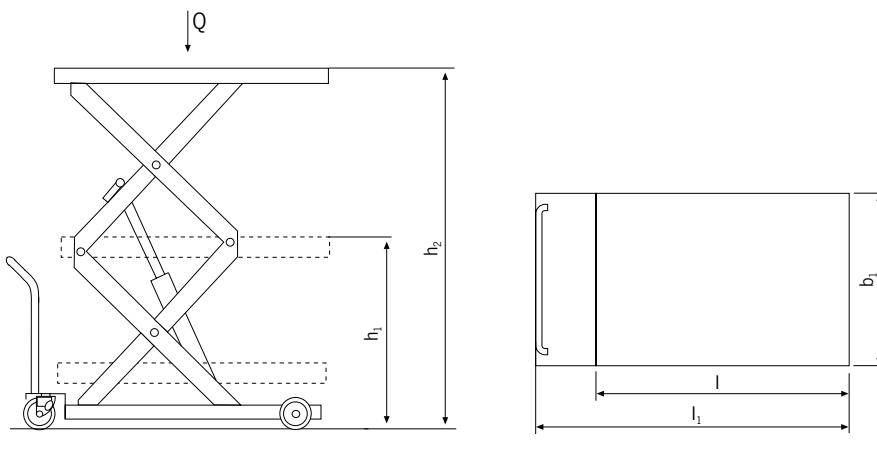


Technical data model HF/D

Model	HF 012-142 DM	HF 012-142 DE	HF 045-155 DM	HF 045-155 DE
EAN-No. 4025092*	*253680	*253840	*252928	*253857
Capacity, kg	125	125	450	450
Platform height, max. h ₂ , mm	1420	1420	1550	1550
Platform height, min. h ₁ , mm	430	430	295	295
Stroke h ₃ , mm	990	990	1255	1255
Overall length l ₁ , mm	1090	1090	1350	1350
Overall width b ₁ , mm	500	500	665	665
Platform length l, mm	840	840	1030	1030
Platform width b ₁ , mm	500	500	610	610
Tyres**	PUR	PUR	PUR	PUR
Service brake	manual	manual	manual	manual
Number of strokes for max. lift	19	electro	71	electro
Weight***, kg	100	147	143	190

Model	HF 050-190 DM	HF 050-190 DE	HF 080-190 DM	HF 080-190 DE
EAN-No. 4025092*	*253437	*253864	*253758	*253871
Capacity, kg	500	500	800	800
Platform height, max. h ₂ , mm	1900	1900	1900	1900
Platform height, min. h ₁ , mm	490	490	490	490
Stroke h ₃ , mm	1410	1410	1410	1410
Overall length l ₁ , mm	1650	1650	1650	1650
Overall width b ₁ , mm	860	860	860	860
Platform length l, mm	1350	1350	1350	1350
Platform width b ₁ , mm	840	840	840	840
Tyres**	PA	PA	PA	PA
Service brake	manual	manual	manual	manual
Number of strokes for max. lift	80	electro	160	electro
Weight***, kg	306	352	315	363

**PA...Polyamide, PUR...Polyurethane, VG...Solid rubber, S...Steel
 S...Single, T...Tandem
 ***Weight = Tare weight incl. battery



Model HF/D