

This user information presents a general review regarding the application of cranes and does not substitute the existing operating instructions for specific products!

Lifting and slewing operations may be carried out by competent users (trained in theory and practice) only. When operated correctly, our cranes will offer the highest degree of safety in line with long life expectancy and avoid damage to products and people.

Yalesystems cranes are manufactured in accordance with the machinery directive 89/392/EEC and the latest DIN 15018 H2 B2 (gantry cranes H2 B3) and correspond to the VDE regulations.

All components are mechanically shot blast, then primed and coated with RAL 1023 (yellow) paint, D.F.T. approx. 60 micron.

Modification of delivery condition

Design and finish of the cranes may not be modified by e.g. installation of outside supplied parts, bending, welding, grinding, removal of parts, added bores, removal of safety devices like locking mechanisms, locking pins, safety latches etc.

Limitations of operation

Temperature

Cranes may normally be operated at ambient temperatures between -10°C up to +50°C. These values are approximate and may deviate from the specific givings of the product concerned. The accurate data are given in the current operating instructions.

Chemicals

Cranes may not be operated without hesitation in the area of chemicals or chemical vapours - consult our specialists for advice. Cranes which have been subject to chemicals or vapours must be taken out of service and inspected by us.

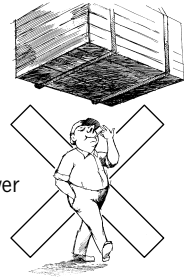
Transport of people

Transport of people with cranes is generally forbidden!

Operation in danger zones

Lifting or transport of loads must be avoided while personnel are in the danger zone.

People are not allowed to pass over or under a suspended load.



Electrical hazards


Please consult the specific operating instructions for possible electrical hazards. Electrical connections may only be performed by authorized persons resp. companies.

Maintenance and repair

- To ensure safe operation, all cranes must be subjected to regular inspections according to the maintenance instructions given by the manufacturer (for legal obligations refer to BGVD6).
- Depending on the frequency and impact of applications, the crane has to be maintained, at least once per year or in case of obvious damages, by competent persons resp. inspectors.
- Repairs and inspections may only be carried out by competent persons resp. inspectors who use original spare parts. Repairs and inspections must be recorded consecutively.

Inspections

- The contractor has to make sure that powered cranes are inspected prior to initial operation and after significant modifications by a competent person. This is also applicable for hand operated cranes with a capacity of more than 1000 kg.
- For cranes according to § 3a para. 3 BGV D 6 the inspection before initial operation consists of advance survey, inspection of building and quality acceptance.
- The inspection prior to initial operation is not required for cranes, which are delivered ready-to-use and with certificate of a type approval or EC declaration of conformity.

 For information on training please see pages 4-5.

Technical questionnaire crane systems

Company: _____

Date: _____

Contact: _____

e-Mail: _____

Phone: _____

Fax: _____

- Wall-mounted jib crane
- Floor-mounted jib crane
- For outdoor use

WLL _____ kg
Slewing range _____
Boom length A _____ mm
Boom clearance UK _____ mm
or ceiling clearance H _____ mm
or overall height B _____ mm
or highest hook position _____ mm

Accessories

- Increased paint thickness
- Hot-dip galvanizing
- Boom locks
- Slewing range stoppers
- Electrically driven slewing gear
- Slewing brake

Power supply

- Round cable
- Festooned cable
- Suspended control

Mounting for wall-mounted jib crane

- Threaded rods/anchor bolts
- Pillar embracing

Mounting for floor-mounted jib crane

- Anchors and template
- Standard base plate (welded) incl. anchors/rawlplug
- Dowel base plate (bolted) incl. anchors/rawlplug

- Gantry crane


WLL _____ kg
Gantry width (inside) a _____ mm
Gantry width (outside) A _____ mm
Beam clearance UK _____ mm
or ceiling clearance H _____ mm
or overall height B _____ mm
or highest hook position _____ mm

Accessories

- Increased paint thickness
- Hot-dip galvanizing
- Height adjustment
- Height and width adjustment

Power supply

- Round cable
- Festooned cable
- Suspended control

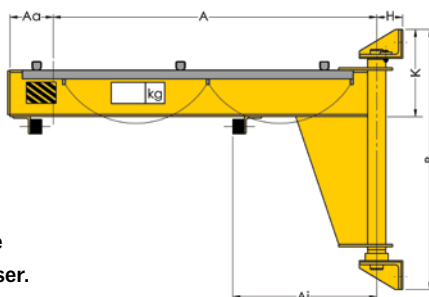
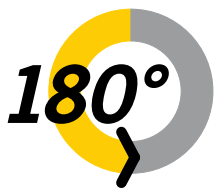
 **We will be happy to prepare an individual quotation including a hoist which fulfils your requirements.**

Hoists

- Manual hoists
- Electric chain hoist (single speed)
- Electric chain hoist (2 speeds)

Trolleys

- Push trolley
- Geared trolley
- Electric trolley (single speed)
- Electric trolley (2 speeds)



Mounting supports and walls are within the responsibility of the user.

Wall-mounted jib crane model PMS

Elevated boom with optimal height, slewing range 180°

Lightweight, twist-free steel girder construction with low headroom. The boom is fitted with a bearing and a wall bracket for anchoring the crane to a concrete wall.

Mounting a jib crane to a wall, in combination with a festooned cable system, may lead to restrictions in the slewing range of the boom. This being the case, slew stoppers (buffers) should be fitted accordingly.

Mounting

- Wall mounting, using threaded rods that go through the wall and that are bolted to the wall with counter plates and nuts.
- Pillar embracing with anchor bolts and wall bracket. Bracket plate max. 500 mm, anchor bolts (threaded rods) max. 1000 mm.
- Alternative mounting systems upon request.

Option

- Slew stoppers (buffers) can be fitted on building site for a pre-determined fixed slewing range.
- Slewing brake, to control the boom speed during slewing. Recommended for a boom length of more than 5 m or a headroom of more than 4 m. This prevents uncontrolled movement of the boom.
- Increased paint layer (120 µm) or hot-dip galvanisation for outdoor use.
- Manual locking device, to hold the boom in a fixed position (wind protection).
- Hoist cover for outdoor use.

Scope of delivery

- The electrical system is equipped with a lockable main switch, round cable power supply with cable support pipes for booms up to 4000 mm.
- From 4500 mm upwards, the boom is equipped with a festooned cable power supply. Due to cable sag on low cranes, we recommend the use of festooned cables even on short booms.
- Trolley stoppers at the front and at the back.
- Cranes are supplied with an operating manual and complete manufacturer's documentation.

Further capacities and boom lengths on request.

Standard delivery programme

Model	2000 mm boom length	2500 mm boom length	3000 mm boom length	3500 mm boom length	4000 mm boom length	4500 mm boom length	5000 mm boom length	5500 mm boom length	6000 mm boom length
PMS 125	1	1	1	1	1	1	1	1	1
PMS 250	1	1	1	1	1	1	1	1	1
PMS 500	1	1	1	1	1	1	1	1	1
PMS 1000	1	1	1	1	1	1	1	1	1
PMS 1600	1	1	1	1	1	1	1	0	0
PMS 2000	1	1	1	1	1	0	0	0	0

Floor-mounted jib crane model PFSP

Elevated boom with optimal height, slewing range 270°

Lightweight, twist-free steel girder construction with low headroom. The boom is fitted with a bearing, pillar made from reinforced steel pipe.

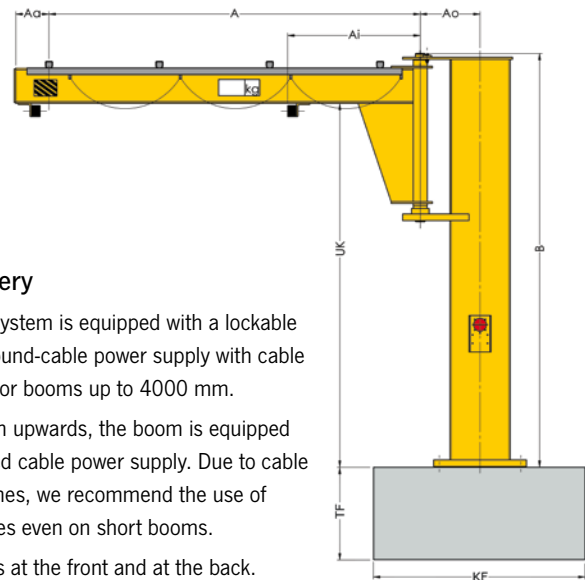
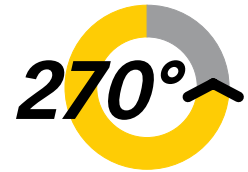
Depending on the size of the hoist and in combination with festooned power cables, restrictions in the slewing range of the boom may be possible.

Mounting

- Base flange with anchor bolts and template.
- Anchoring the base plate (welded) including mortar cartridges, anchor studs (complete with nuts, locknuts and washers).
- Anchoring the dowel base plate (bolted) including mortar cartridges, anchor studs (complete with nuts, locknuts and washers).
- Mobile unit for changeable location.

Option

- Slew stoppers (buffers) can be fitted on building site for a pre-determined fixed slewing range.
- Slewing brake, to control the boom speed during slewing. Recommended for a boom length of more than 5 m or a headroom of more than 4 m. This prevents uncontrolled movement of the boom.
- Increased paint layer (120 µm) or hot-dip galvanisation for outdoor use.
- Manual locking device, to hold the boom in a fixed position (wind protection).
- Hoist cover for outdoor use.



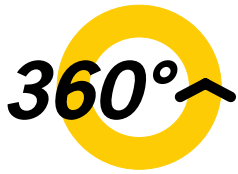
Scope of delivery

- The electrical system is equipped with a lockable main switch, round-cable power supply with cable support pipes for booms up to 4000 mm.
- From 4500 mm upwards, the boom is equipped with a festooned cable power supply. Due to cable sag on low cranes, we recommend the use of festooned cables even on short booms.
- Trolley stoppers at the front and at the back.
- Cranes are supplied with an operating manual and complete manufacturer's documentation.

! Further capacities and boom lengths on request.

Standard delivery programme

Model	2000 mm boom length	2500 mm boom length	3000 mm boom length	3500 mm boom length	4000 mm boom length	4500 mm boom length	5000 mm boom length	5500 mm boom length	6000 mm boom length
PFSP 125	1	1	1	1	1	1	1	1	1
PFSP 250	1	1	1	1	1	1	1	1	1
PFSP 500	1	1	1	1	1	1	1	1	1
PFSP 1000	1	1	1	1	1	1	1	1	1
PFSP 1600	1	1	1	1	1	1	1	0	0
PFSP 2000	1	1	1	1	1	0	0	0	0

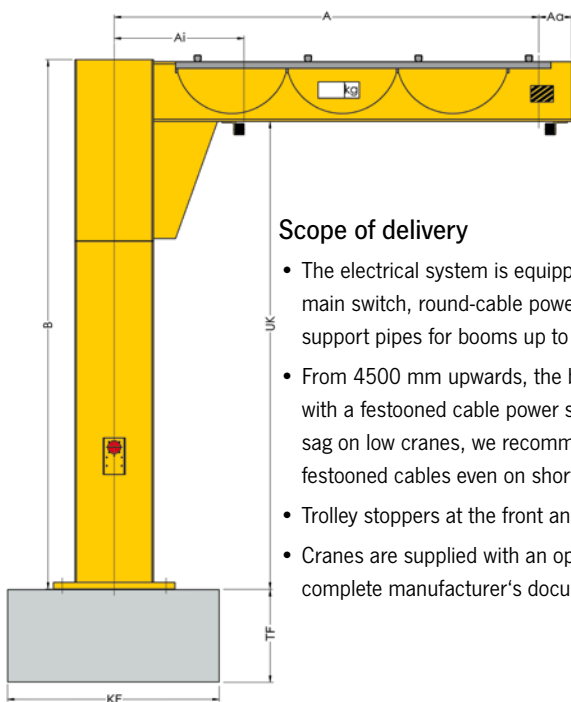


Floor-mounted jib crane model PFM

Elevated boom with optimal height, slewing range 360°

Lightweight, twist-free steel girder construction with low headroom. Compact rotating head for ideal construction dimensions; access from above ensures easy assembly. The boom is fitted with a roller bearing, pillar made from reinforced steel pipe.

Depending on the size of the hoist and in combination with festooned power cables, restrictions in the slewing range of the boom may be possible.



Scope of delivery

- The electrical system is equipped with a lockable main switch, round-cable power supply with cable support pipes for booms up to 4000 mm.
- From 4500 mm upwards, the boom is equipped with a festooned cable power supply. Due to cable sag on low cranes, we recommend the use of festooned cables even on short booms.
- Trolley stoppers at the front and at the back.
- Cranes are supplied with an operating manual and complete manufacturer's documentation.

Mounting

- Base flange with anchor bolts and template.
- Anchoring the base plate (welded) including mortar cartridges, anchor studs (complete with nuts, locknuts and washers).
- Anchoring the dowel base plate (bolted) including mortar cartridges, anchor studs (complete with nuts, locknuts and washers).
- Mobile unit for changeable location.

Option

- Slew stoppers (buffers) can be fitted on building site for a pre-determined fixed slewing range.
- Slewing brake, to control the boom speed during slewing. Recommended for a boom length of more than 5 m or a headroom of more than 4 m. This prevents uncontrolled movement of the boom.
- Increased paint layer (120 µm) or hot-dip galvanisation for outdoor use.
- Manual locking device, to hold the boom in a fixed position (wind protection).
- Hoist cover for outdoor use.

! Further capacities and boom lengths on request.

Standard delivery programme

Model	2000 mm boom length	2500 mm boom length	3000 mm boom length	3500 mm boom length	4000 mm boom length	4500 mm boom length	5000 mm boom length	5500 mm boom length	6000 mm boom length
PFM 125	1	1	1	1	1	1	1	1	1
PFM 250	1	1	1	1	1	1	1	1	1
PFM 500	1	1	1	1	1	0	0	0	0
PFM 1000	0	0	0	0	0	0	0	0	0
PFM 1600	0	0	0	0	0	0	0	0	0
PFM 2000	0	0	0	0	0	0	0	0	0

Floor-mounted jib crane model PFP

Elevated boom with optimal height, slewing range 360°

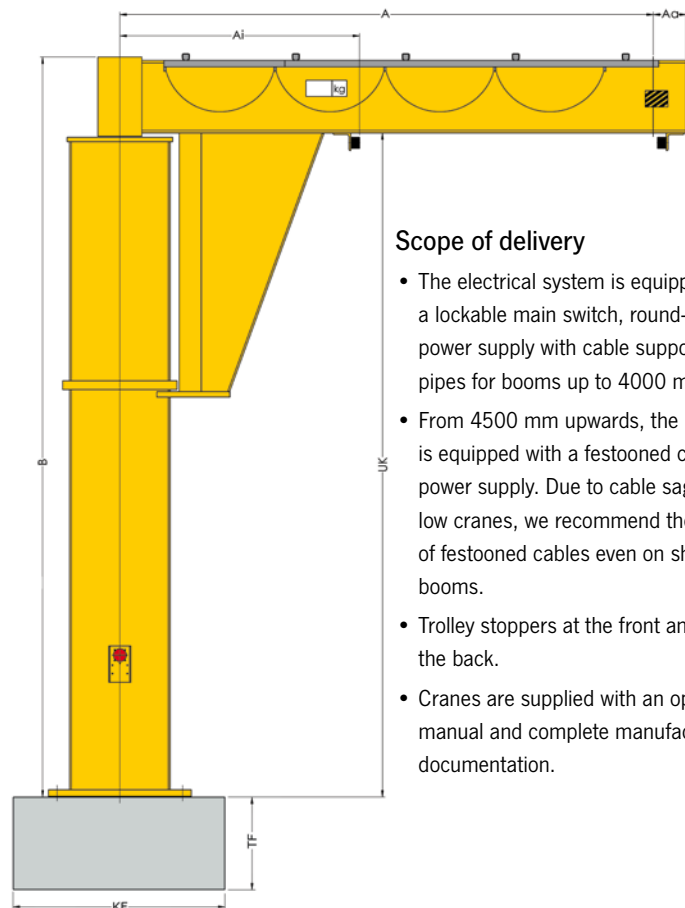
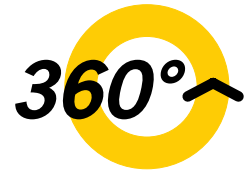
Heavy, robust twist-free steel girder construction. Structural steel crane-boom. Compact rotating head for ideal construction dimensions; access from above ensures easy assembly. The boom is fitted with a roller bearing, pillar made from reinforced steel pipe. Depending on the size of the hoist and in combination with festooned power cables, restrictions in the slewing range of the boom may be possible.

Mounting

- Base flange with anchor bolts and template.
- Anchoring the dowel base plate (bolted) including mortar cartridges, anchor studs (complete with nuts, locknuts and washers).

Option

- Electrically driven slewing gear.
- Slew stoppers (buffers) can be fitted on building site for a pre-determined fixed slewing range.
- Limit switches to limit the boom slewing range (before hitting a fixed object the motor switches off automatically).
- Increased paint layer (120µm) or hot-dip galvanisation for outdoor use.
- Manual locking device, to hold the boom in a fixed position (wind protection).
- Hoist cover for outdoor use.



Scope of delivery

- The electrical system is equipped with a lockable main switch, round-cable power supply with cable support pipes for booms up to 4000 mm.
- From 4500 mm upwards, the boom is equipped with a festooned cable power supply. Due to cable sag on low cranes, we recommend the use of festooned cables even on short booms.
- Trolley stoppers at the front and at the back.
- Cranes are supplied with an operating manual and complete manufacturer's documentation.

Further capacities and boom lengths on request.

Standard delivery programme

Model	2000 mm boom length	2500 mm boom length	3000 mm boom length	3500 mm boom length	4000 mm boom length	4500 mm boom length	5000 mm boom length	5500 mm boom length	6000 mm boom length
PFP 125	0	0	0	0	0	0	0	0	0
PFP 250	0	0	0	0	0	0	0	0	0
PFP 500	1	1	1	1	1	1	1	1	1
PFP 1000	1	1	1	1	1	1	1	1	1
PFP 1600	1	1	1	1	1	1	1	1	1
PFP 2000	1	1	1	1	1	1	1	1	1



Moveable gantry crane model TD

Yalesystems gantry crane for use in all areas, from craftsman's workshops, garages and industrial use. They are suitable for low to medium weight capacities and are also for outdoor use.

The cranes are moved by hand and are not dependant on a rail system.

The guidelines for moving Yalesystems gantry cranes and transporting loads should be strictly followed.

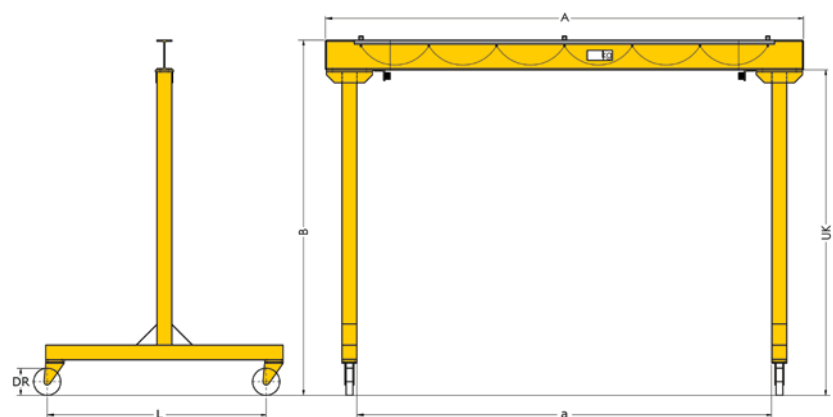
Option

- Adjustable height and/or width.
- Increased paint layer (120 µm) or hot-dip galvanisation for outdoor use.
- Hoist cover for outdoor use.

Scope of delivery

- 2 supports and 1 load bearing beam (not assembled).
- Power supply by festooned cables incl. flat cables, C type mounting rail, cable trolley, support arms and towing trolleys.
- Cranes are supplied with an operating manual and complete manufacturer's documentation.

! Further capacities and boom lengths on request.



Standard delivery programme

Model	2000 mm boom length	2500 mm boom length	3000 mm boom length	3500 mm boom length	4000 mm boom length	4500 mm boom length	5000 mm boom length	5500 mm boom length	6000 mm boom length
TD 125	0	0	0	0	0	0	0	0	0
TD 250	0	0	0	0	0	0	0	0	0
TD 500	0	0	0	0	0	0	0	0	0
TD 1000	1	1	1	1	1	1	0	0	0
TD 1600	1	1	1	1	1	1	0	0	0
TD 2000	1	1	1	1	1	1	0	0	0

Workshop crane, fold-away model WSC

Capacity 500 - 1000 kg

The workshop crane proves itself most useful for a great number of applications in the workshop environment. In-house transport of machines, loading and unloading of vehicles. Installing and removing motors in vehicles can be handled safely and easily.

Features

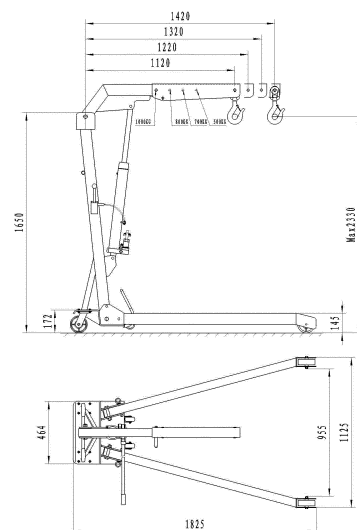
- The workshop crane can be set up quickly and easily without additional tools by only one person. Once the job is complete, the crane can simply be folded away. When folded, the workshop crane can be pushed into its final storage position and is supported by stabilising rollers.
- Professional design and a three-times adjustable cantilever ensure highest versatility.
- 360° degree rotating load hook.
- Double-acting hand pump for simple and quick lifting.
- Hydraulic system with standard pressure relief valve.
- Finely adjustable, thus sensitive lowering of the load with hand lever.



Quick and easy set-up by only one person.

Technical data model WSC

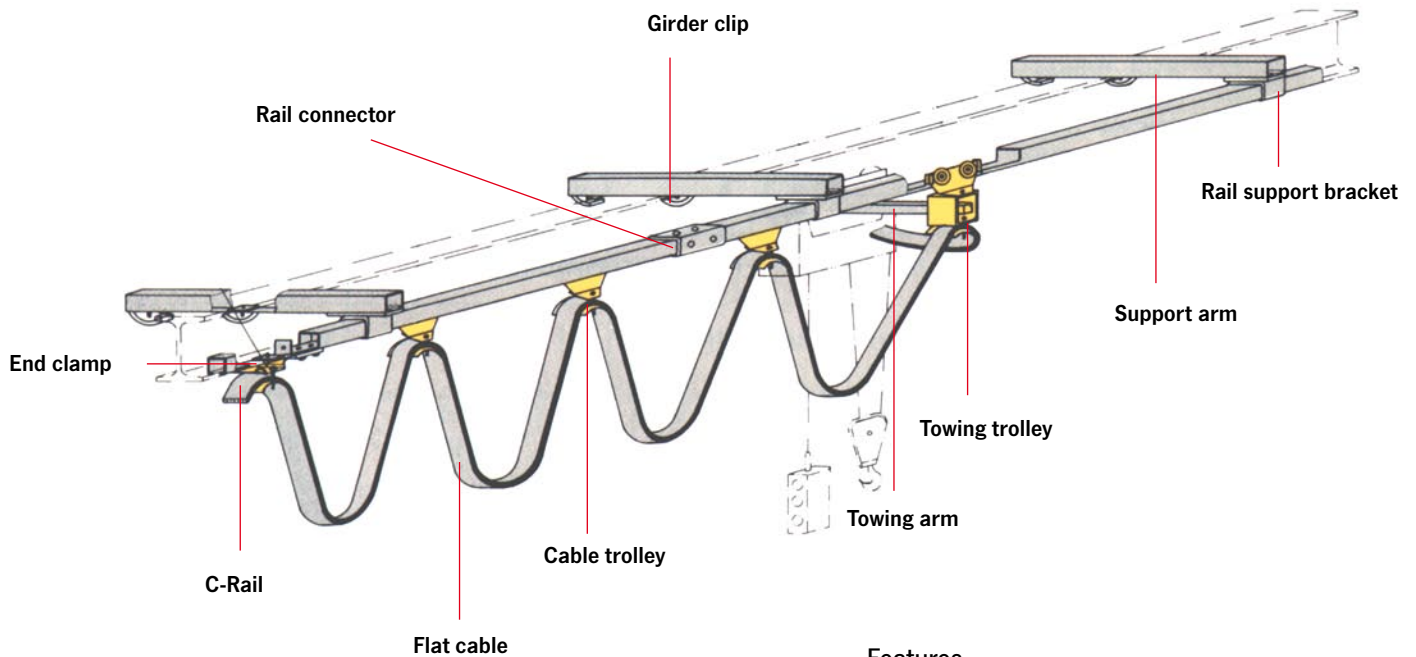
Model	WSC 0.5	WSC 1.0
EAN-No. 4025092*	*081085	*080668
Load capacity cantilever 1 kg	500	1000
Load capacity cantilever 2 kg	400	800
Load capacity cantilever 3 kg	350	700
Load capacity cantilever 4 kg	250	500
Boom length 1 mm	1120	1120
Boom length 2 mm	1220	1220
Boom length 3 mm	1320	1320
Boom length 4 mm	1420	1420
Overall height mm	1650	1650
Ground clearance mm	144	144
Overall length mm	1815	1815
Width approx. mm	464	464
Outside width mm	1125	1125
Roller diameter mm	126	126
Weight kg	125	125



Model WSC

Festooned cable systems

The Yale festooned cable system kit contains all the parts necessary to install a power supply.



! Quantity of units dependant on track length.

Features

- The PVC flat cable 4 x 2.5 mm² is suitable for all electric hoists with a power consumption of up to 25 A.
- The line sag is 700 mm. The cable and towing trolleys are made from plastic and can withstand loads of up to 10 daN.
- The rollers are fitted with bronze bushes resp. ball bearings.
- The C-rail, rail support brackets and rail connectors are zinc-plated for added protection against corrosion.

Option

- Mounting kit consisting of support arm and girder clips for connection to the beam.
- Towing arm for towing trolley.

Scope of delivery

- 1 End clamp
- 1 End stop
- 1 Towing trolley
- 2 End caps
- 2 FI-fittings with locknuts
- 1 Main switch 400V, 50 Hz



Main switch

Technical data festooned cable systems

Model	EAN-No. 4025092*	EAN-No. Mounting kit 4025092*	C-rails track length m	Max. trans- port distance m	PVC flat cable m	Nos. of cable trolleys	Rail support bracket	Rail connector
Festooned cable 4.0 m C-rail track length	*059305	*059398	4	3.5	9	2	4	0
Festooned cable 6.0 m C-rail track length	*059312	*059404	6	5.4	11	3	5	1
Festooned cable 8.0 m C-rail track length	*059329	*059411	8	7.3	13	5	6	1
Festooned cable 10.0 m C-rail track length	*059336	*059428	10	9.2	15	6	7	2
Festooned cable 12.0 m C-rail track length	*059435	*059435	12	11.0	17	8	8	2
Festooned cable 14.0 m C-rail track length	*059442	*059442	14	12.9	19	9	9	3
Festooned cable 16.0 m C-rail track length	*059459	*059459	16	14.8	21	11	10	3
Festooned cable 18.0 m C-rail track length	*059466	*059466	18	16.7	23	12	11	4
Festooned cable 20.0 m C-rail track length	*059473	*059473	20	18.5	25	14	12	4



Cable trolley



Towing trolley



Rail support bracket

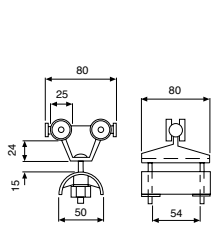


Rail connector

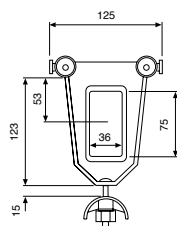


C-Rail

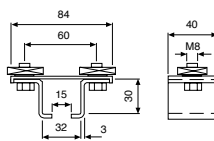
! Special applications e.g. for curves or cable trolley for round cables on request.



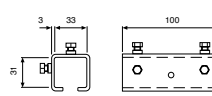
Cable trolley



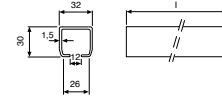
Towing trolley



Rail support bracket



Rail connector



C-Rail

! Optional: Mounting kit consisting of support arm and girder clips for connection to the beam.

